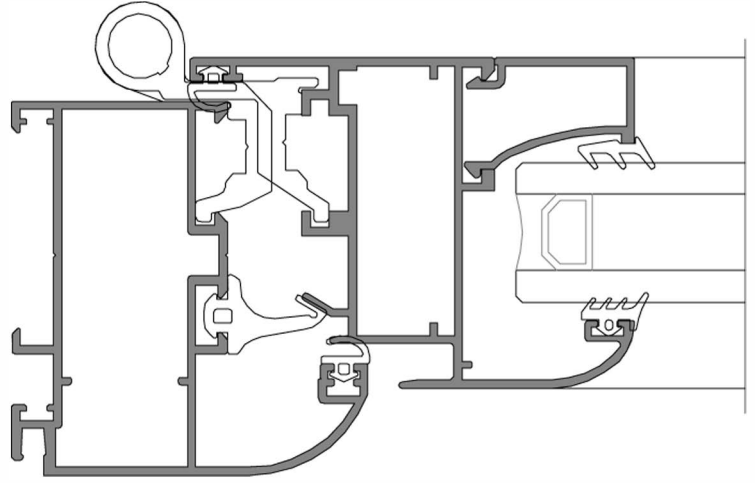




Kapı - Pencere Sistem
Door - Window System



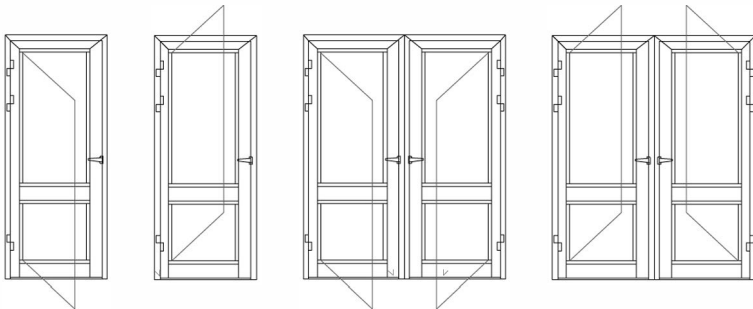
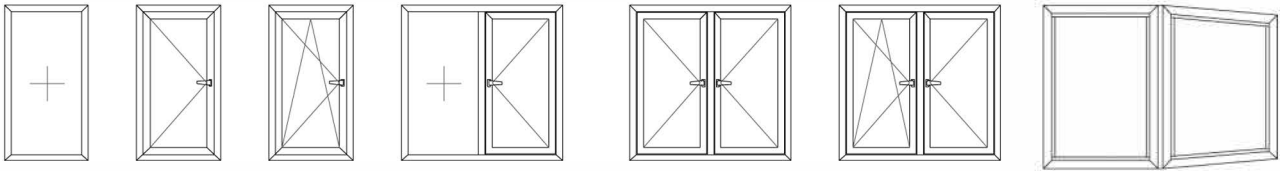
WDD45



TEKNİK ÖZELLİKLER / TECHNICAL PROPERTIES

KASA GENİŞLİĞİ / FRAME WIDTH	45 - 59 mm
KANAT GENİŞLİĞİ / SASH WIDTH	52 mm
PROFİL ET KALINLIĞI / PROFILE WALL THICKNESS	1,3 - 1,5 mm
MIN. CAM KALINLIĞI / MIN. GLAZING THICKNESS	4 mm
MAKS. CAM KALINLIĞI / MAX. GLAZING THICKNESS	28 mm
MIN. KANAT ÖLÇÜLERİ / MIN. SASH DIMENSIONS	350 x 500 mm
MAX. KANAT ÖLÇÜLERİ / MAX. SASH DIMENSIONS	1300 x 2800 mm
MAX. KANAT AĞIRLIĞI / MAX. SASH WEIGHT	90 kg

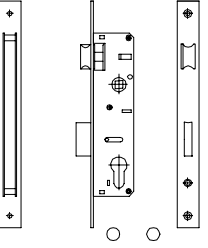
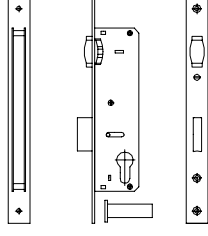
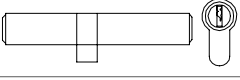

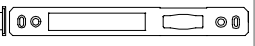
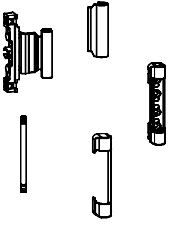
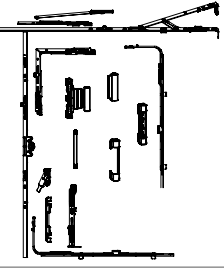
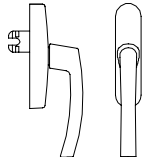
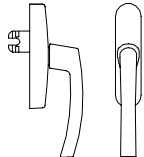

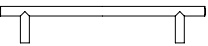

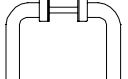
UYGULAMA SEÇENEKLERİ / APPLICATION OPTIONS



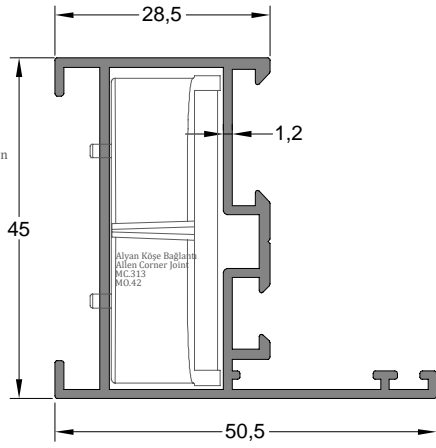
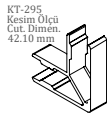
PROF L KES T PROFILE SECTION	PROF L KODU PROFILE CODE	PROF L ADI PROFILE NAME	Jx cm ⁴	Jy cm ⁴	A IRLIK (kg/m) WEIGHT
	746	KASA PROF L FRAME PROFILE	6,97 cm ⁴	3,89 cm ⁴	0,672 kg/m
	788	KASA PROF L FRAME PROFILE	11,65 cm ⁴	5,88 cm ⁴	0,838 kg/m
	778	KASA PROF L FRAME PROFILE	15,22 cm ⁴	9,08 cm ⁴	0,990 kg/m
	11615	KASA PROF L FRAME PROFILE	14,21 cm ⁴	7,71 cm ⁴	0,912 kg/m
	796	PERVAZLI KASA PROF L SILL FRAME PROFILE	24,25 cm ⁴	11,44 cm ⁴	0,964 kg/m
	725	PERVAZLI KASA PROF L SILL FRAME PROFILE	16,14 cm ⁴	14,71 cm ⁴	0,935 kg/m
	782	KASA PROF L FRAME PROFILE	12,94 cm ⁴	11,10 cm ⁴	1,149 kg/m
	620	KASA PROF L FRAME PROFILE	25,22 cm ⁴	11,00 cm ⁴	1,148 kg/m
	745	ORTA KAYIT PROF L MULLION PROFILE	7,50 cm ⁴	6,14 cm ⁴	0,881 kg/m
	749	ORTA KAYIT PROF L MULLION PROFILE	17,63 cm ⁴	10,04 cm ⁴	1,018 kg/m
	621	ORTA KAYIT PROF L MULLION PROFILE	17,65 cm ⁴	11,21 cm ⁴	1,094 kg/m
	608	ORTA KAYIT PROF L MULLION PROFILE	41,59 cm ⁴	14,79 cm ⁴	1,338 kg/m
	747	KANAT PROF L SASH PROFILE	10,73 cm ⁴	6,13 cm ⁴	0,799 kg/m
	779	KANAT PROF L SASH PROFILE	12,40 cm ⁴	8,34 cm ⁴	0,952 kg/m
	737	ÇE AÇILIR KANAT PROF L INWARD OPENING SASH PROFILE	25,64 cm ⁴	16,31 cm ⁴	1,089 kg/m
	635	ÇE AÇILIR KANAT PROF L INWARD OPENING SASH PROFILE	22,78 cm ⁴	15,89 cm ⁴	1,081 kg/m
	780	ÇE AÇILIR KANAT PROF L INWARD OPENING SASH PROFILE	23,30 cm ⁴	16,01 cm ⁴	1,100 kg/m
	609	ÇE AÇILIR KANAT PROF L INWARD OPENING SASH PROFILE	25,36 cm ⁴	18,64 cm ⁴	1,239 kg/m
	686	ÇE AÇILIR KANAT PROF L INWARD OPENING SASH PROFILE	25,34 cm ⁴	17,52 cm ⁴	1,186 kg/m
	787	ÇE AÇILIR KANAT PROF L INWARD OPENING SASH PROFILE	19,88 cm ⁴	15,51 cm ⁴	1,022 kg/m
	748	ÇE AÇILIR KANAT PROF L INWARD OPENING SASH PROFILE	22,72 cm ⁴	16,31 cm ⁴	1,093 kg/m
	790	DI A AÇILIR KANAT PROF L OUTWARD OPENING SASH PROFILE	19,90 cm ⁴	14,64 cm ⁴	1,020 kg/m

PROF L KES T PROFILE SECTION	PROF L KODU PROFILE CODE	PROF L ADI PROFILE NAME	Jx cm ⁴	Jy cm ⁴	A IRLIK (kg/m) WEIGHT
	738	DI A AÇILIR KANAT PROF L OUTWARD OPENING SASH PROFILE	25,65 cm ⁴	15,07 cm ⁴	1,089 kg/m
	774	ÇE AÇILIR KANAT PROF L INWARD OPENING SASH PROFILE	18,34 cm ⁴	10,11 cm ⁴	1,144 kg/m
	781	ÇE AÇILIR KANAT PROF L INWARD OPENING SASH PROFILE	28,00 cm ⁴	24,48 cm ⁴	1,387 kg/m
	5923	ÇE AÇILIR KANAT PROF L INWARD OPENING SASH PROFILE	15,71 cm ⁴	15,04 cm ⁴	1,157 kg/m
	622	ÇE AÇILIR KANAT PROF L INWARD OPENING SASH PROFILE	27,95 cm ⁴	17,19 cm ⁴	1,220 kg/m
	783	ADAPTÖR PROF L ADAPTER PROFILE	-	-	0,872 kg/m
	610	ADAPTÖR PROF L ADAPTER PROFILE	-	-	0,885 kg/m
	739	ADAPTÖR PROF L ADAPTER PROFILE	-	-	0,821 kg/m
	750	ETEK PROF L BOTTOM PROFILE	134,75 cm ⁴	22,55 cm ⁴	1,740 kg/m
	784	KÖ E DÖNÜ PROF L CORNER PROFILE	-	-	0,581 kg/m
	786	KÖ E DÖNÜ PROF L CORNER PROFILE	-	-	0,875 kg/m
	4242	DAMLALIK PROF L SILL PROFILE	-	-	0,094 kg/m
	7021	DAMLALIK PROF L SILL PROFILE	-	-	0,140 kg/m
	764	PERVAZ PROF L SILL PROFILE	-	-	0,385 kg/m
	8241	T J PROF L STEM BAR PROFILE	-	-	0,099 kg/m
	676	CAM ÇITASI (34 mm) GLAZING BEAD (34 mm)	-	-	0,331 kg/m
	7036	CAM ÇITASI (30 mm) GLAZING BEAD (30 mm)	-	-	0,319 kg/m
	606	CAM ÇITASI (27 mm) GLAZING BEAD (27 mm)	-	-	0,299 kg/m
	792	CAM ÇITASI (26.5 mm) GLAZING BEAD (26.5 mm)	-	-	0,301 kg/m
	7023	CAM ÇITASI (24 mm) GLAZING BEAD (24 mm)	-	-	0,294 kg/m
	770	CAM ÇITASI (21.5 mm) GLAZING BEAD (21.5 mm)	-	-	0,270 kg/m
	664	CAM ÇITASI (18 mm) GLAZING BEAD (18 mm)	-	-	0,266 kg/m

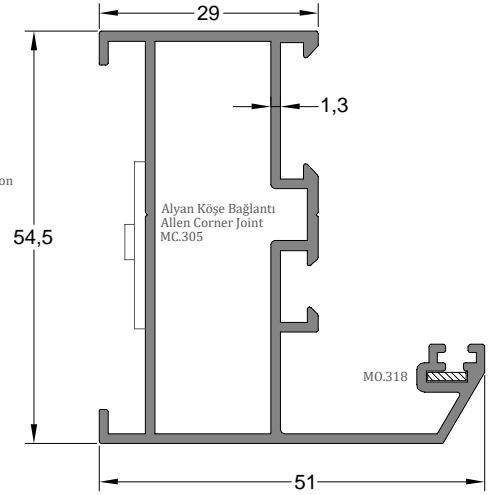
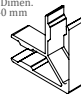
AKSESUAR ACCESSORY	STOK KODU REFERENCE CODE	AKSESUAR ADI DESCRIPTION	AKSESUAR KODU PRODUCT CODE	PAKET PACK
	03 010438	KASA KANAT F T L FRAME SASH GASKET	WD45-KBF.70	303 mt / paket 10 kg
	03 010106	DI CAM F T L OUTER GLAZING GASKET	WD45-DCF.25	240 mt / paket 10 kg
	03 011230	Ç CAM F T L INNER GLAZING GASKET	WD45- CF.30	330 mt / paket 10 kg
	03 011231	Ç CAM F T L INNER GLAZING GASKET	WD45- CF.40	205 mt / paket 10 kg
	03 010732	Ç CAM F T L INNER GLAZING GASKET	WD45- CF.50	175 mt / paket 10 kg
	03 011006	ORTA B N F T L MIDDLE GASKET	WD45-OBF.06	114 mt / paket 10 kg
	01 150200	ALÜM NYUM KAPI ALTI FIRÇASI ALUMINIUM DOORBASE BRUSH	WD45-KF.200	100 ad / 1 pk
	01 130305	ALYAN KÖ E BA LANTI ALLEN CORNER JOINT	WD45-MC.305	250 ad / 1 pk
	01 130307	ALYAN KÖ E BA LANTI ALLEN CORNER JOINT	WD45-MC.307	250 ad / 1 pk
	01 130313	ALYAN KÖ E BA LANTI ALLEN CORNER JOINT	WD45-MC.313	250 ad / 1 pk
	01 130325	ALYAN KÖ E BA LANTI ALLEN CORNER JOINT	WD45-MC.325	250 ad / 1 pk
	01 130314	KÖ E ÇAVU U CORNER CONNECTION	WD45-FJ.314	250 ad / 1 pk
	06 140203	CAM TAKOZU (3X20X80 mm) GLAZING WEDGE (3X20X80 mm)	WD45-CT.203	1000 ad / 1 pk
	06 140208	CAM TAKOZU (5X20X80 mm) GLAZING WEDGE (5X20X80 mm)	WD45-CT.208	1000 ad / 1 pk
	06 140210	CAM TAKOZU (5X28X80 mm) GLAZING WEDGE (5X28X80 mm)	WD45-CT.210	1000 ad / 1 pk
	04 010115	SAB T PERDEL YA MUR TAHL YE KAPAK WATER DRAIN COVER (FIXED)	WD45-TK.115	1000 ad / 1 pk
	04 010112	HAREKETL PERDEL YA MUR TAHL YE KAPAK WATER DRAIN COVER (MOVEABLE)	WD45-TK.112	1000 ad / 1 pk
	01 120201	AYARLI SPANYOLET KAR ILI I (SETSKURLU) ADJUSTABLE ESPAGNOLETTE STRIKER (PINNED)	WD45-TPK.201	100 ad / 1 pk
	01 120217	PVC KANALLI SPANYOLET KAR ILI I PVC GROOVE ESPAGNOLETTE STRIKER(SCREWED)	WD45-PK.217	100 ad / 1 pk
	01 120100	SPANYOLET P M (EURO KANAL) ESPAGNOLETTE PIN (EURO CHANNEL)	WD45-TP.100	100 ad / 1 pk

AKSESUAR ACCESSORY	STOK KODU REFERENCE CODE	AKSESUAR ADI DESCRIPTION	AKSESUAR KODU PRODUCT CODE	PAKET PACK
	05 010401	153/35 mm D LL K L T BOLT LOCK	WD45-DK.401	30 ad / 1 pk
	05 010405	155/35 mm MAKARALI K L T ROLLED LOCK	WD45-MK.405	30 ad / 1 pk
	05 011103	76 mm BAREL 76 mm CYLINDER	WD45-BR.103	24 ad / 1 pk
	01 060210	OVAL SER K L T KAR ILI I (D LL) OVAL SERIES LOCK STRIKER (BOLT)	WD45-KK.210	50 ad / 1 pk
	01 060211	OVAL SER K L T KAR ILI I (MAKARALI) OVAL SERIES LOCK STRIKER (ROLLED)	WD45-KK.211	50 ad / 1 pk
	01 090650	PVC KANALLI TEK AÇILIM MENTE E TAKIMI (9/18) PVC GROOVED CASEMENT HINGE (9/18)	WD45-PM.650	1 pk / 100 ad
	01 090680	PVC KANALLI Ç FT AÇILIM MENTE E TAKIMI (9/18) PVC GROOVED TILT&TURN SET (9/18)	WD45-PMT.680	1 pk / 100 ad
	01 020601	EKSENEL KOL ROTO (ELOKSALLI) ROTO AXIAL HANDLE (ANODIZED)	WD45-RK.601	10 ad / 1 pk
	01 020604	EKSENEL KOL ROTO (ELOKSALLI K L TL) ROTO AXIAL HANDLE (ANODIZED LOCKED)	WD45-RK.604	10 ad / 1 pk
	01 051101	U KOL (ELOKSALLI) U SHAPED HANDLE (ANODIZED)	WD45-UK.101	10 ad / 1 pk
	01 031309	H KOL (ELOKSALLI) H SHAPED HANDLE (ANODIZED)	WD45-HK.309	10 ad / 1 pk
	01 030401	KIVRIK KOL (ELOKSALLI) CONVOLUTED HANDLE (ANODIZED)	WD45-VK.401	10 ad / 1 pk
	01 040104	YAYLI SOS S KOL SPRING DOOR HANDLE	WD45-YK.104	50 ad / 1 pk

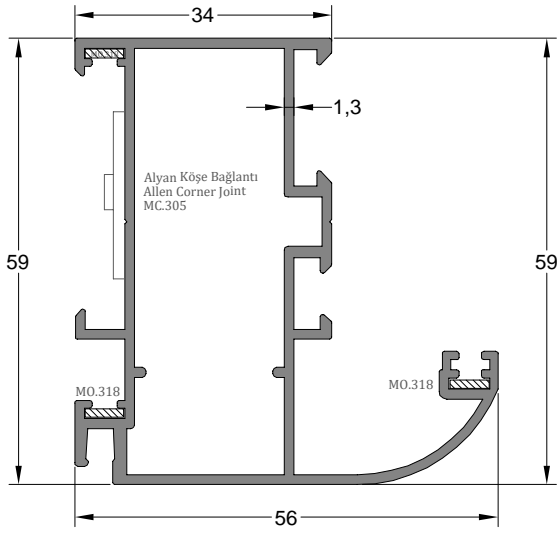
AKSESUAR ACCESSORY	STOK KODU REFERENCE CODE	AKSESUAR ADI DESCRIPTION	AKSESUAR KODU PRODUCT CODE	PAKET PACK
	01 040109	YAYLI SOS S KOL BAREL ROZET SPRING DOOR HANDLE CYLINDER BADGE	WD45-BR.109	2 ad / 1 pk
	01 040902	FORZA EFOR YAYLI KAPI KOLU (BEYAZ) FORZA EFOR DOOR HANDLE (WHITE)	WD45-FK.902	10 ad / 1 pk
	01 040903	FORZA EFOR YAYLI KAPI KOLU (RENKL) FORZA EFOR DOOR HANDLE (COLORED)	WD45-FK.903	10 ad / 1 pk
	01 040904	FORZA EFOR YAYLI KAPI KOLU (NATUREL) FORZA EFOR DOOR HANDLE (NATURAL)	WD45-FK.904	10 ad / 1 pk
	01 020810	FORZA YANKI EKSENEL PENCERE KOLU (NATUREL) FORZA YANKI AXIAL WINDOW HANDLE (NATURAL)	WD45-EK.810	50 ad / 1 pk
	01 020811	FORZA YANKI EKSENEL PENCERE KOLU (BEYAZ) FORZA YANKI AXIAL WINDOW HANDLE (WHITE)	WD45-EK.811	50 ad / 1 pk
	01 020812	FORZA YANKI EKSENEL PENCERE KOLU (RENKL) FORZA YANKI AXIAL WINDOW HANDLE (COLORED)	WD45-EK.812	50 ad / 1 pk
	01 020702	FORZA EFOR EKSENEL PENCERE KOLU (BEYAZ) FORZA EFOR AXIAL WINDOW HANDLE (WHITE)	WD45-FPK.702	20 ad / 1 pk
	01 020703	FORZA EFOR EKSENEL PENCERE KOLU (RENKL) FORZA EFOR AXIAL WINDOW HANDLE (COLORED)	WD45-FPK.703	20 ad / 1 pk
	01 020803	FORZA EFOR EKSENEL PENCERE KOLU (NATUREL) FORZA EFOR AXIAL WINDOW HANDLE (NATURAL)	WD45-FPK.803	20 ad / 1 pk
	01 011601	OVAL SER KAPI MENTE E (ELOKSALLI) OVAL SERIES DOOR HINGE (ANODIZED)	WD45-PM.601	10 ad / 1 pk
	01 011602	OVAL SER KAPI MENTE E (BEYAZ) OVAL SERIES DOOR HINGE (WHITE)	WD45-PM.602	10 ad / 1 pk
	01 011603	OVAL SER KAPI MENTE E (RENKL) OVAL SERIES DOOR HINGE (COLORED)	WD45-PM.603	10 ad / 1 pk
	01 011301	OVAL SER PENCERE MENTE E (ELOKSALLI) OVAL SERIES WINDOW HINGE (ANODIZED)	WD45-PM.301	10 ad / 1 pk
	01 011302	OVAL SER PENCERE MENTE E (BEYAZ) OVAL SERIES WINDOW HINGE (WINDOW)	WD45-PM.302	10 ad / 1 pk
	01 011303	OVAL SER PENCERE MENTE E (RENKL) OVAL SERIES WINDOW HINGE (COLORED)	WD45-PM.303	10 ad / 1 pk
	01 011101	S STEM PENCERE VE KAPI MENTE E (ELOKSALLI) SYSTEM WINDOW AND DOOR HINGE (ANODIZED)	WD45-PKM.101	10 ad / 1 pk
	01 011102	S STEM PENCERE VE KAPI MENTE E (BEYAZ) SYSTEM WINDOW AND DOOR HINGE (WHITE)	WD45-PKM.102	10 ad / 1 pk
	01 011103	S STEM PENCERE VE KAPI MENTE E (RENKL) SYSTEM WINDOW AND DOOR HINGE (COLORED)	WD45-PKM.103	10 ad / 1 pk
	01 081000	AYARLI KADEMEL MAKAS 5 KADEME ADJUSTABLE TRUSS	WD45-KM.1000	10 ad / 1 pk
	01 081001	AYARLI KADEMEL MAKAS 3 KADEME ADJUSTABLE TRUSS	WD45-KM.1001	10 ad / 1 pk

Alternatif Bağlantı
 Alternative Connection


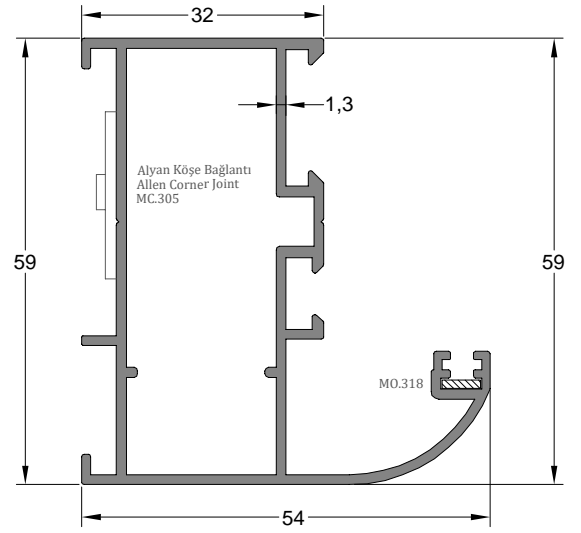
Kasa Profili	Profil Kodu	(kg/mt)	Jx cm ⁴	Jy cm ⁴
FRAME PROFILE	Profile Code	weight		
	746	0,672	6,97	3,89

 Alternatif Bağlantı
 Alternative Connection


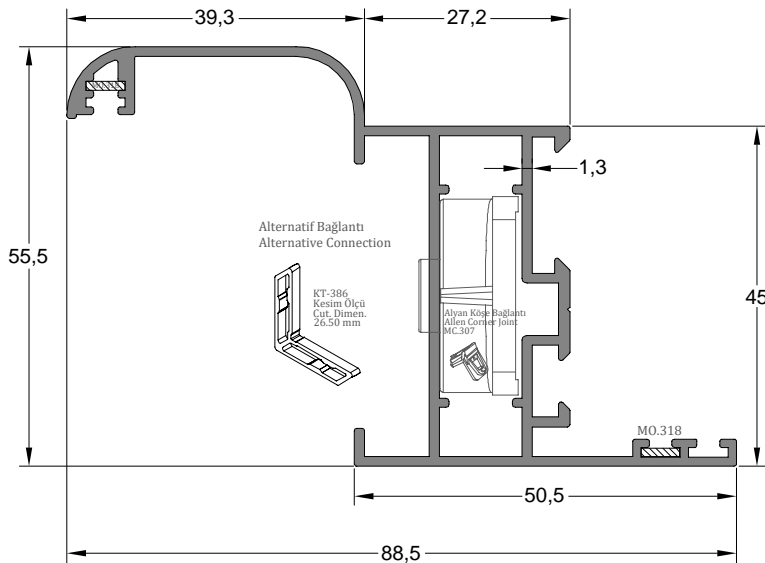
Kasa Profili	Profil Kodu	(kg/mt)	Jx cm ⁴	Jy cm ⁴
FRAME PROFILE	Profile Code	Weight		
	788	0,838	11,65	5,88



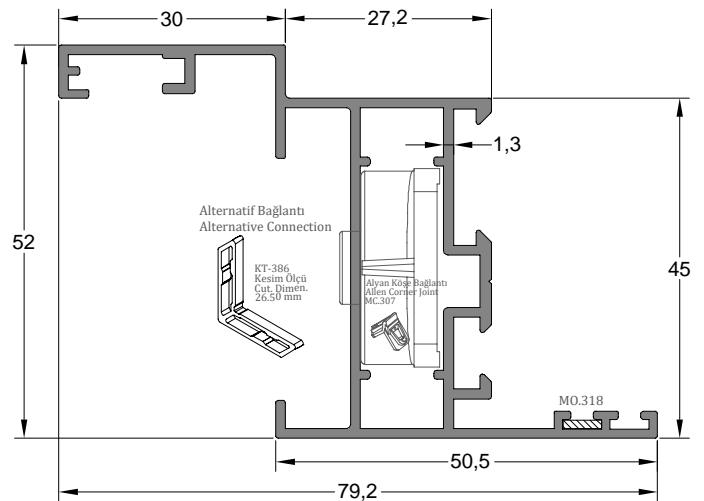
Kasa Profili	Profil Kodu	(kg/mt)	Jx cm ⁴	Jy cm ⁴
FRAME PROFILE	Profile Code	weight		
	778	0,990	15,22	9,08



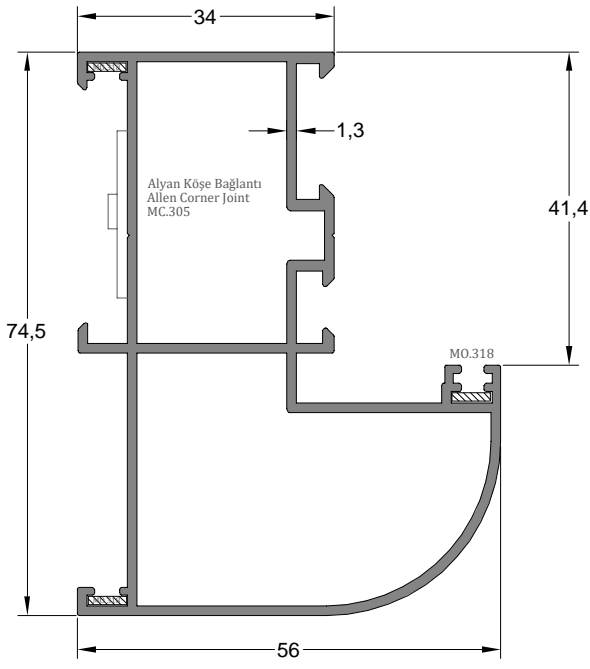
Kasa Profili	Profil Kodu	(kg/mt)	Jx cm ⁴	Jy cm ⁴
FRAME PROFILE	Profile Code	weight		
	11615	0,912	14,21	7,71



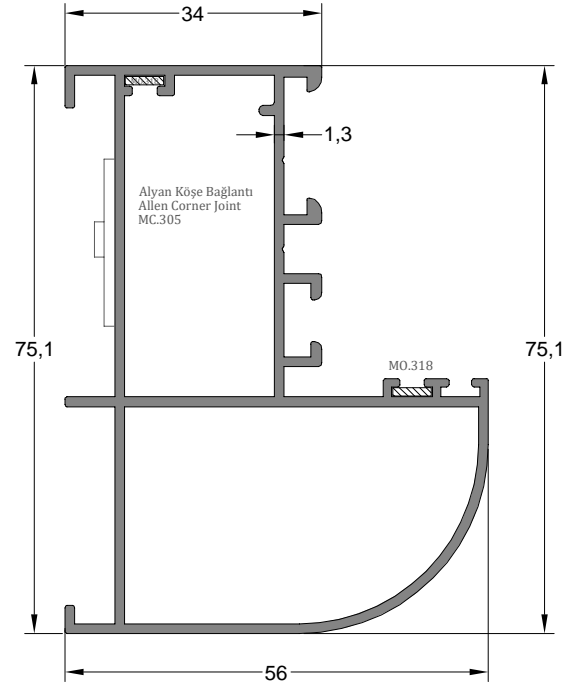
Pervazlı Kasa Profili	Profil Kodu	(kg/mt)	Jx cm ⁴	Jy cm ⁴
SILL FRAME PROFILE	Profile Code	weight		
	796	0,964	16,14	14,71



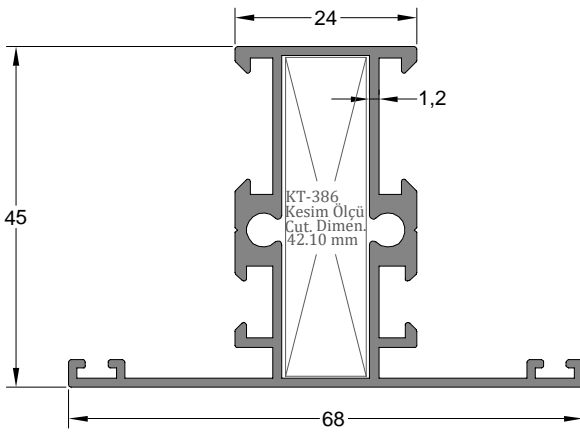
Pervazlı Kasa Profili	Profil Kodu	(kg/mt)	Jx cm ⁴	Jy cm ⁴
SILL FRAME PROFILE	Profile Code	weight		
	725	0,935	12,94	11,10



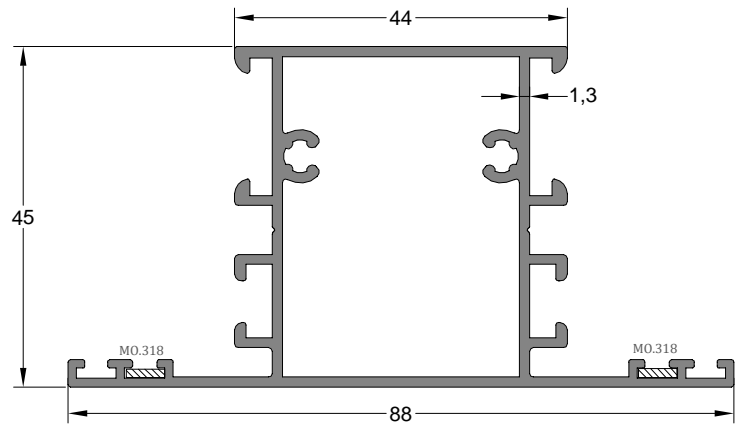
Kasa Profili	Profil Kodu	(kg/mt)	Jx cm ⁴	Jy cm ⁴
FRAME PROFILE	Profile Code	weight		
	782	1,149	24,25	11,44



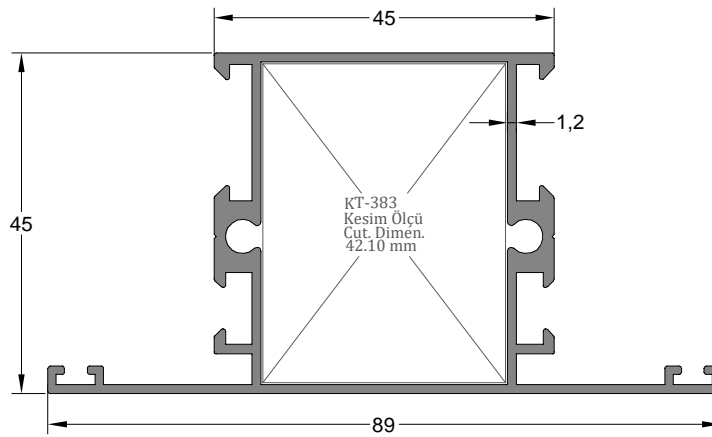
Kasa Profili	Profil Kodu	(kg/mt)	Jx cm ⁴	Jy cm ⁴
FRAME PROFILE	Profile Code	weight		
	620	1,148	25,22	11,00



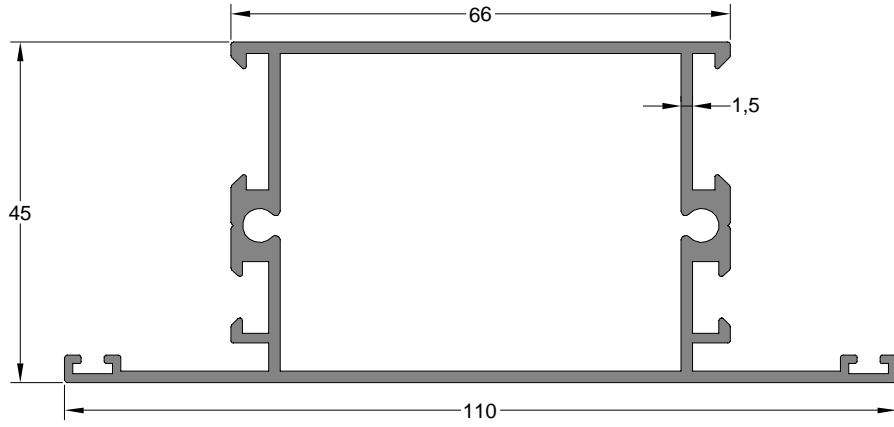
Orta Kayıt Profili	Profil Kodu	(kg/mt)	Jx cm ⁴	Jy cm ⁴
MULLION PROFILE	Profile Code	weight		
	745	0,881	7,50	6,14



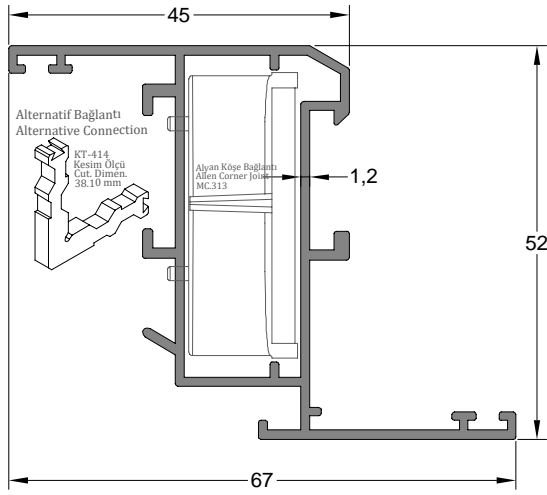
Orta Kayıt Profili	Profil Kodu	(kg/mt)	Jx cm ⁴	Jy cm ⁴
MULLION PROFILE	Profile Code	weight		
	621	1,094	17,65	11,21



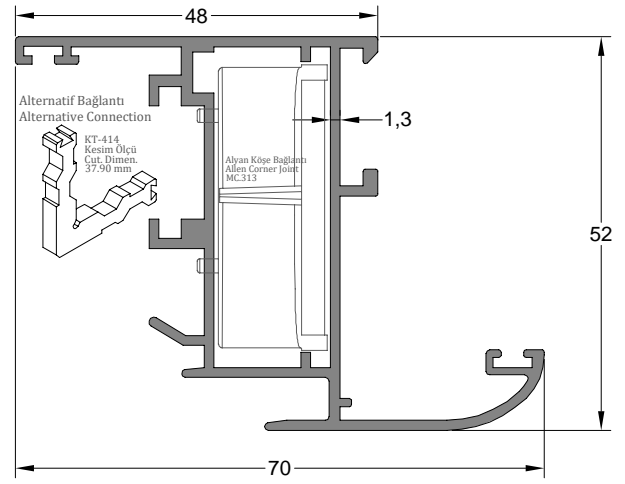
Orta Kayıt Profili	Profil Kodu	(kg/mt)	Jx cm ⁴	Jy cm ⁴
MULLION PROFILE	Profile Code	weight		
	749	1,018	17,63	10,04



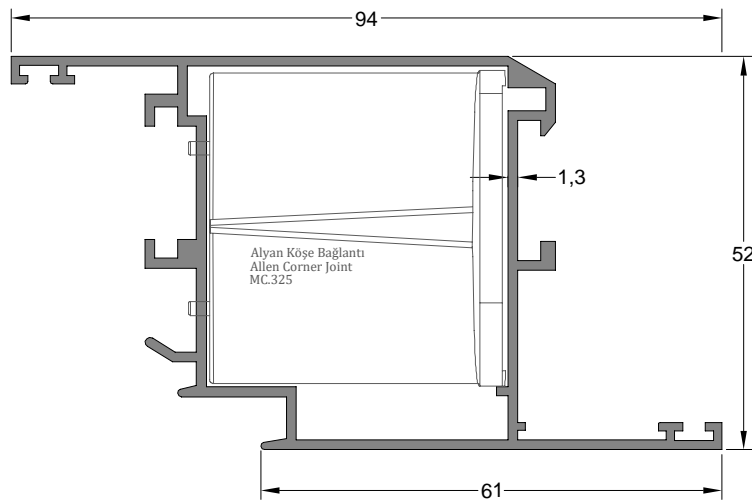
Orta Kayıt Profili MULLION PROFILE	Profil Kodu Profile Code	(kg/mt) Weight	Jx cm ⁴	Jy cm ⁴
	608	1,338	41,59	14,79



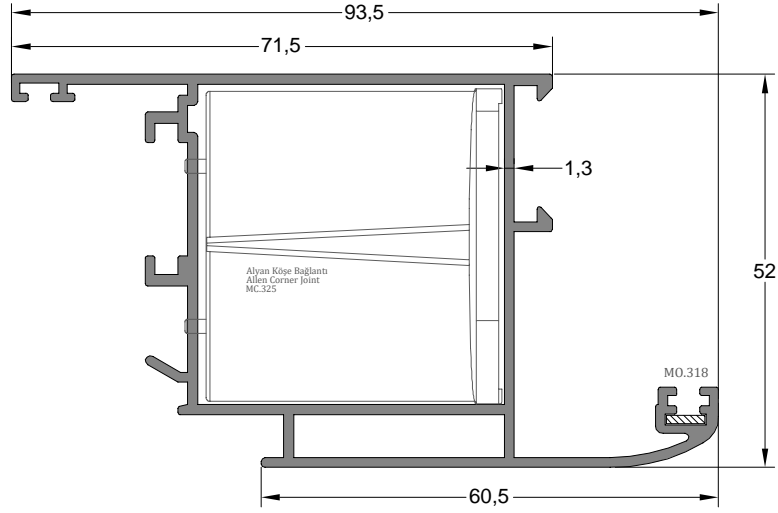
Kanat Profili SASH PROFILE	Profil Kodu Profile Code	(kg/mt) weight	Jx cm ⁴	Jy cm ⁴
	747	0,799	10,73	6,13



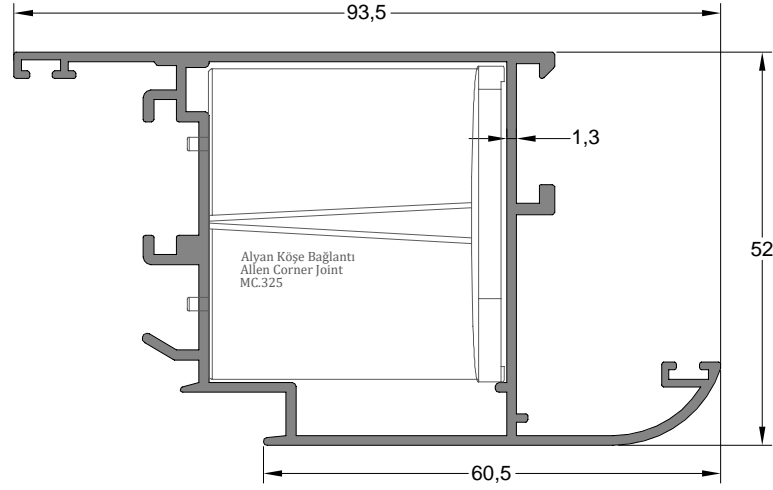
Kanat Profili SASH PROFILE	Profil Kodu Profile Code	(kg/mt) weight	Jx cm ⁴	Jy cm ⁴
	779	0,952	12,40	8,34



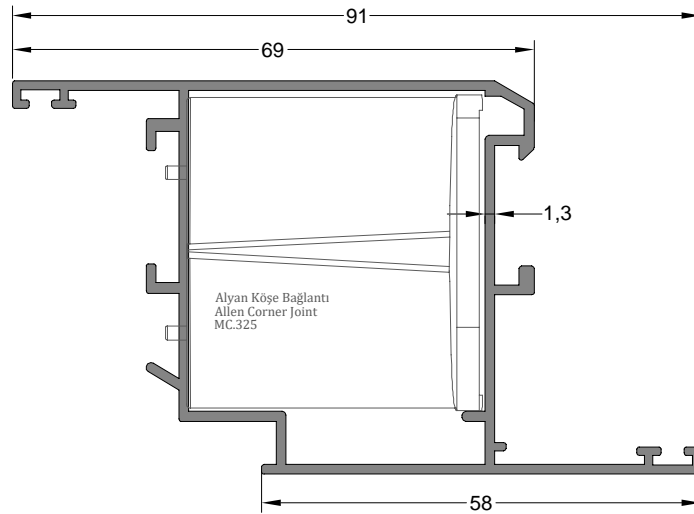
Kanat Profili SASH PROFILE	Profil Kodu Profile Code	(kg/mt) weight	Jx cm ⁴	Jy cm ⁴
	748	1,093	22,72	16,31



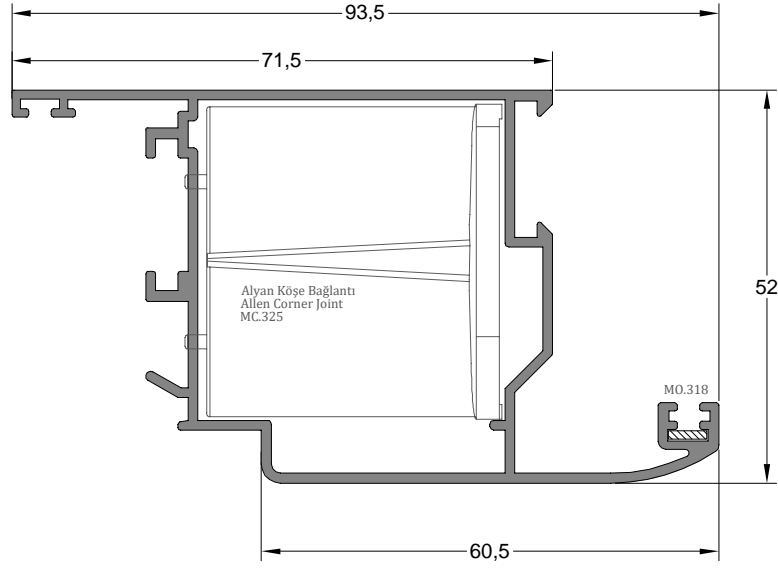
Kanat Profili	Profil Kodu	(kg/mt)	Jx cm ⁴	Jy cm ⁴
SASH PROFILE	Profile Code	weight		
	686	1,186	25,34	17,52



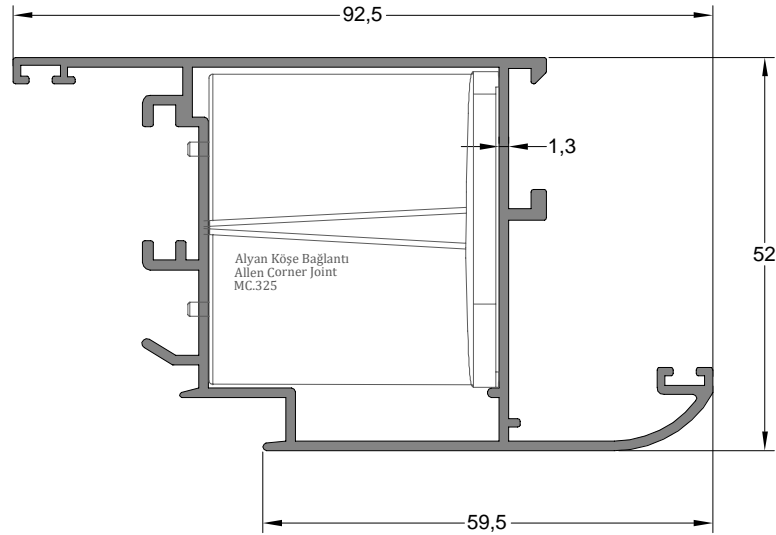
Kanat Profili	Profil Kodu	(kg/mt)	Jx cm ⁴	Jy cm ⁴
SASH PROFILE	Profile Code	weight		
	780	1,100	23,30	16,01



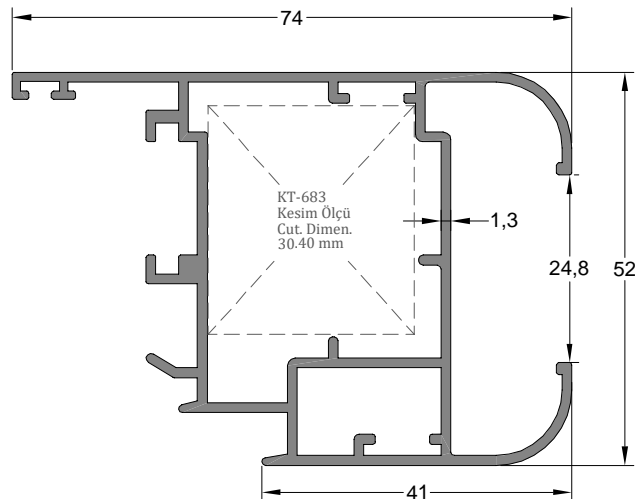
Kanat Profili	Profil Kodu	(kg/mt)	Jx cm ⁴	Jy cm ⁴
SASH PROFILE	Profile Code	weight		
	787	1,022	19,88	15,51



Kanat Profili	Profil Kodu	(kg/mt)	Jx cm ⁴	Jy cm ⁴
SASH PROFILE	Profile Code	weight		
	737	1,089	25,64	16,31

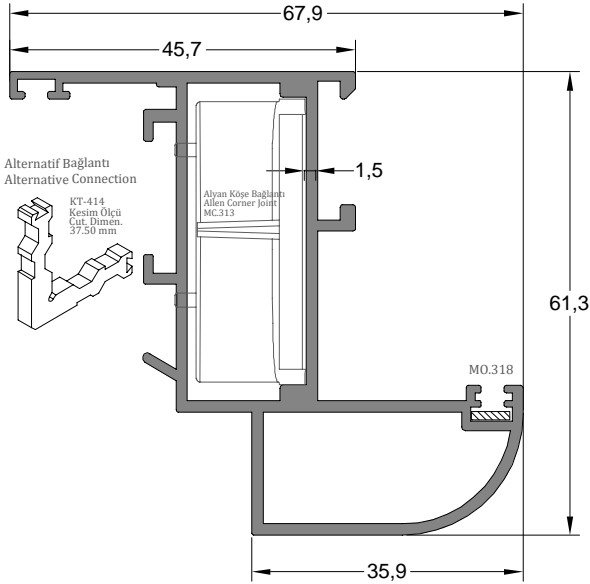


Kanat Profili	Profil Kodu	(kg/mt)	Jx cm ⁴	Jy cm ⁴
SASH PROFILE	Profile Code	weight		
	635	1,081	22,78	15,89

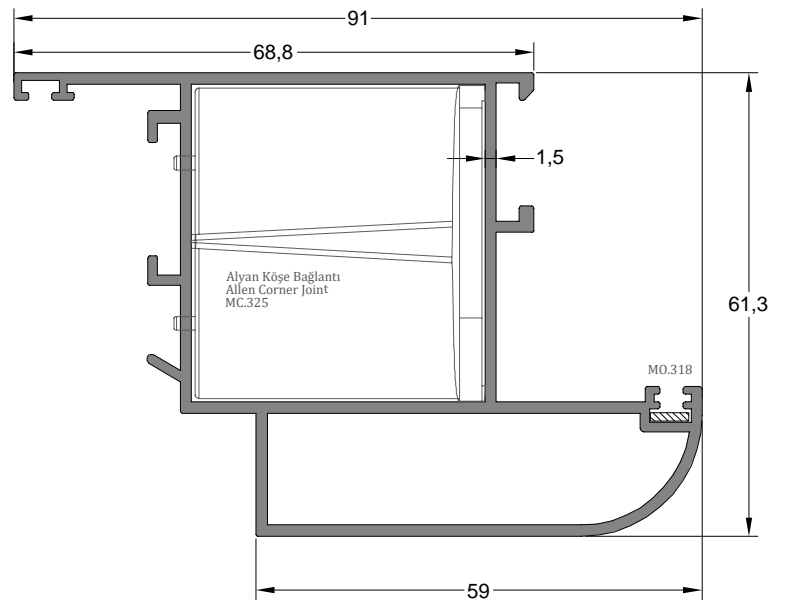


Kanat Profili	Profil Kodu	(kg/mt)	Jx cm ⁴	Jy cm ⁴
SASH PROFILE	Profile Code	Weight		
	5923	1,157	15,71	15,04

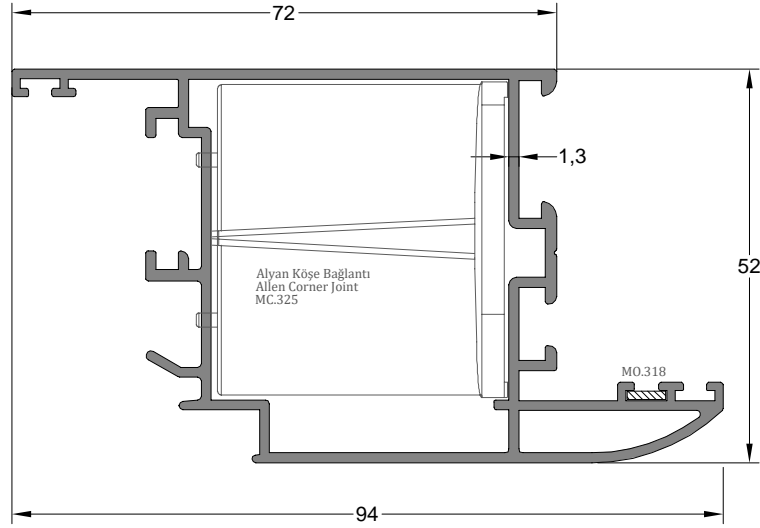
** Her profil için minimum sipari 300 kg'dır.
 ** Minimum order quantity is 300 kg per profile.



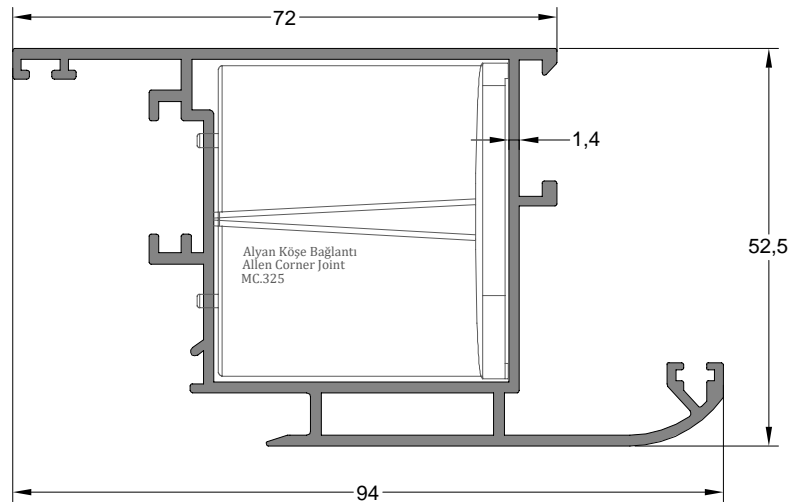
Kanat Profili SASH PROFILE	Profil Kodu Profile Code	(kg/mt) Weight	Jx cm ⁴	Jy cm ⁴
	774	1,144	18,34	10,11



Kanat Profili SASH PROFILE	Profil Kodu Profile Code	(kg/mt) Weight	Jx cm ⁴	Jy cm ⁴
	781	1,385	28,00	24,48

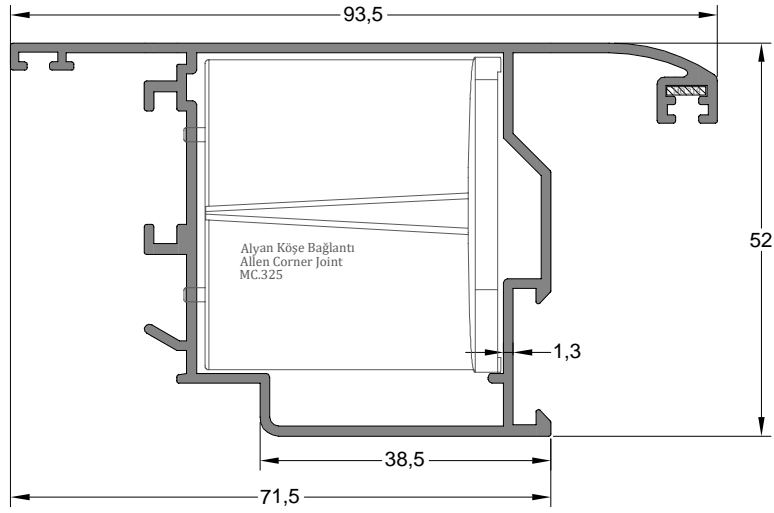


Kanat Profili SASH PROFILE	Profil Kodu Profile Code	(kg/mt) Weight	Jx cm ⁴	Jy cm ⁴
	622	1,223	27,95	17,19

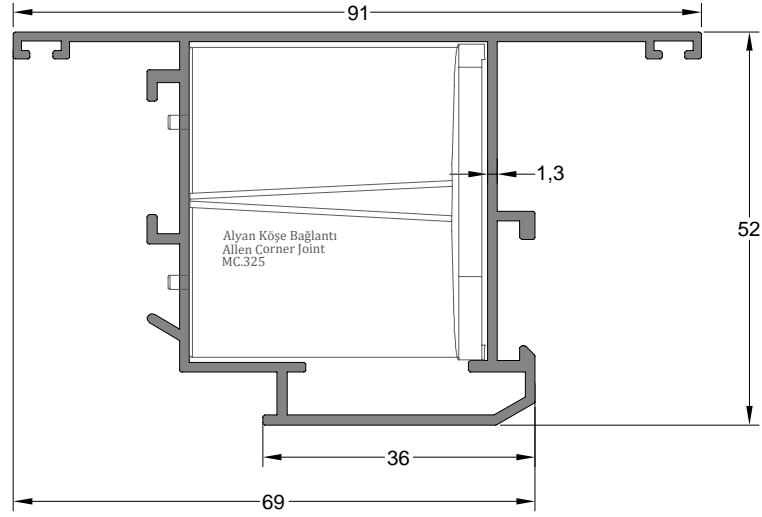


Kanat Profili SASH PROFILE	Profil Kodu Profile Code	(kg/mt) Weight	Jx cm ⁴	Jy cm ⁴
	609	1,239	25,36	18,64

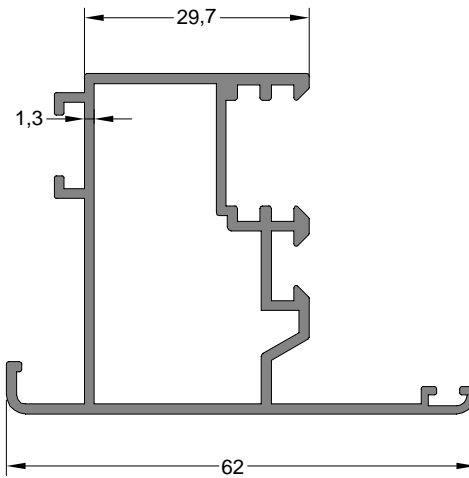
** Her profil için minimum sipari 300 kg'dır.
** Minimum order quantity is 300 kg per profile.



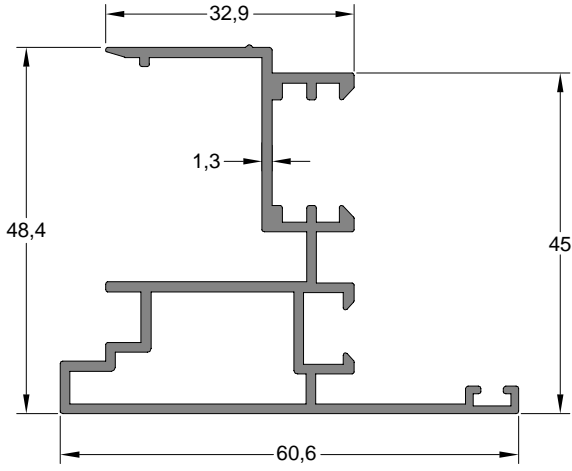
Dı a Açılır Kanat Profili	Profil Kodu	(kg/mt)	Jx cm ⁴	Jy cm ⁴
OUTWARD OPENING SASH PROFILE	Profile Code	Weight		
	738	1,089	25,65	15,07



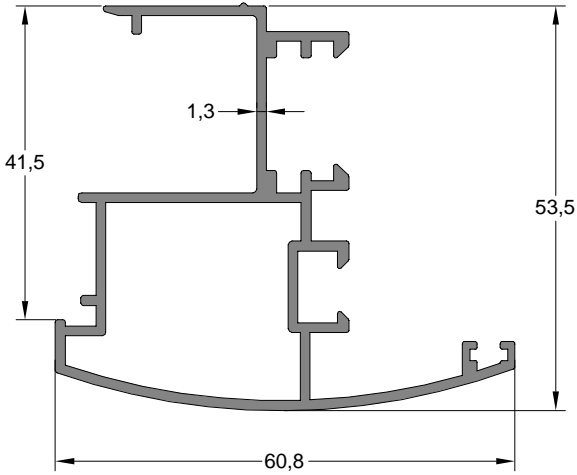
Dı a Açılır Kanat Profili	Profil Kodu	(kg/mt)	Jx cm ⁴	Jy cm ⁴
OUTWARD OPENING SASH PROFILE	Profile Code	Weight		
	790	1,020	19,90	14,64



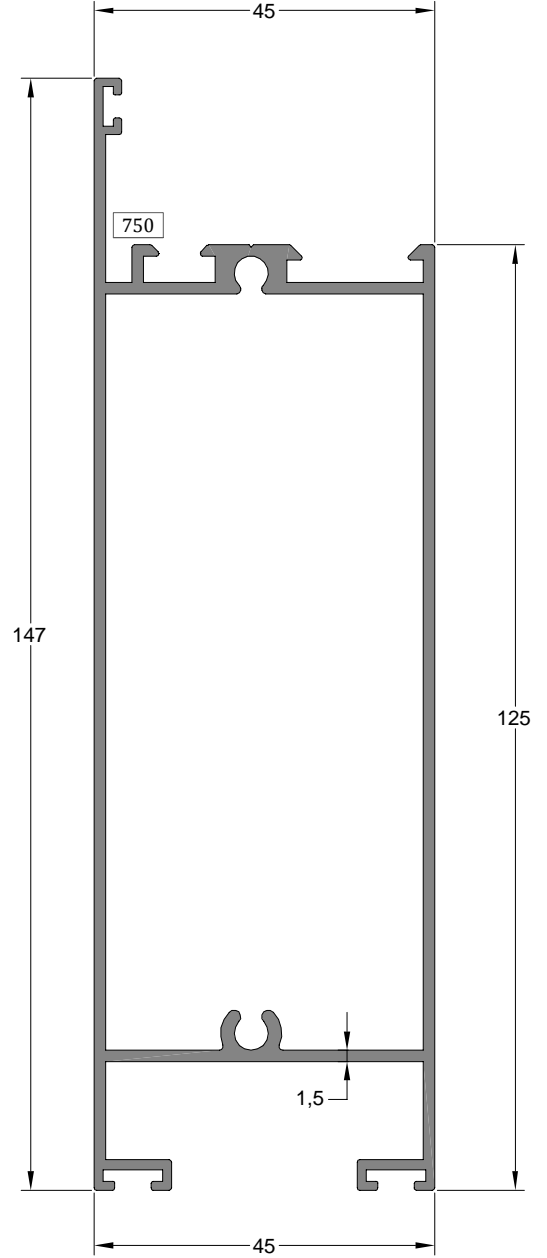
Adaptör Profili	Profil Kodu	(kg/mt)
ADAPTER PROFILE	Profile Code	Weight
	739	0,821



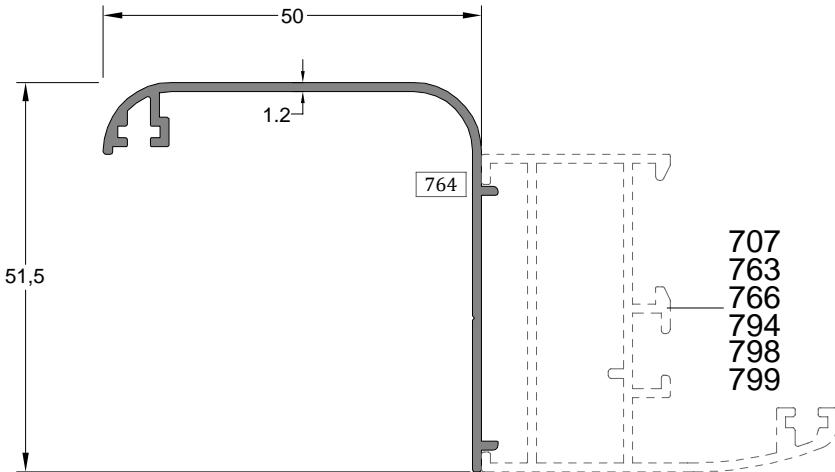
Adaptör Profili	Profil Kodu	(kg/mt)
ADAPTER PROFILE	Profile Code	Weight
	783	0,830



Adaptör Profili	Profil Kodu	(kg/mt)
ADAPTER PROFILE	Profile Code	Weight
	610	0,885



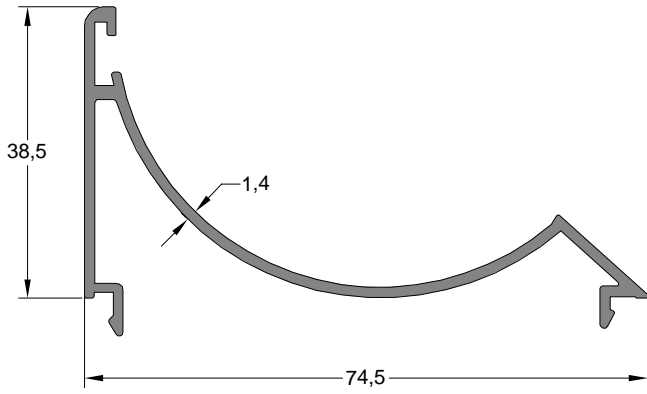
Etek Profili	Profil Kodu	(kg/mt)	Jx cm ⁴	Jy cm ⁴
BOTTOM PROFILE	Profile Code	Weight		
	750	1,740	134,75	22,55



Pervaz Profili	Profil Kodu	(kg/mt)
SILL PROFILE	Profile Code	Weight
	764	0,385

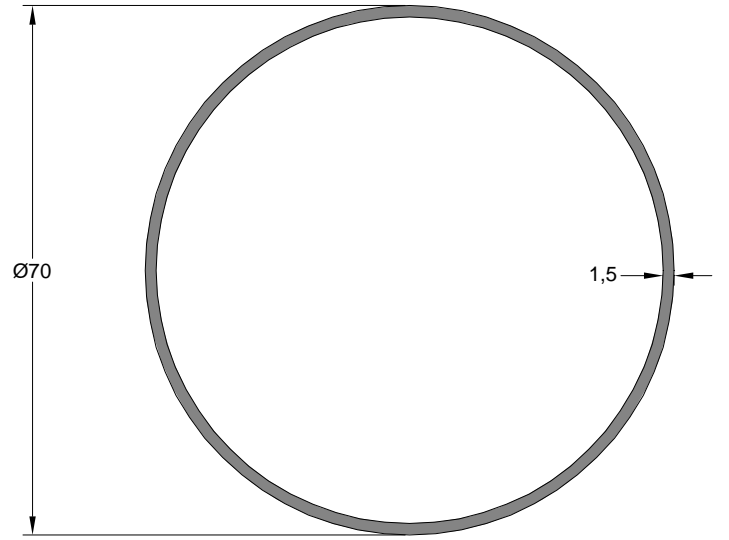
- 707
- 763
- 766
- 794
- 798
- 799

** Her profil için minimum sipari 300 kg'dır.
** Minimum order quantity is 300 kg per profile.

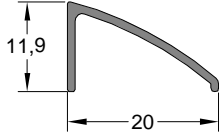


Köşe Dönü Profili	Profil Kodu	(kg/mt)
FRAME PROFILE	Profile Code	Weight
	784	0,581

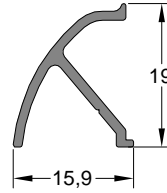
782 no'lu profille birlikte çalışır.



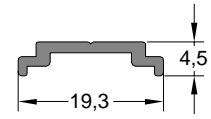
Köşe Dönü Profili	Profil Kodu	(kg/mt)
FRAME PROFILE	Profile Code	Weight
	786	0,874



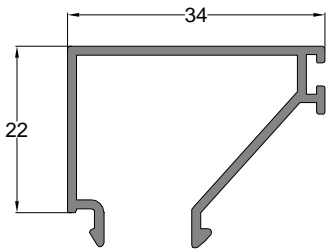
Damlalık Profili	Profil Kodu	(kg/mt)
SILL PROFILE	Profile Code	Weight
	4242	0,094



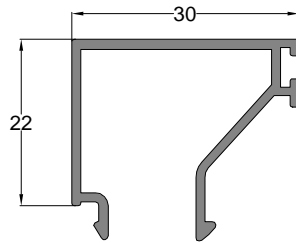
Damlalık Profili	Profil Kodu	(kg/mt)
SILL PROFILE	Profile Code	Weight
	7021	0,140



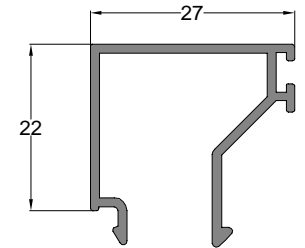
Tij Profili	Profil Kodu	(kg/mt)
STEM BAR PROFILE	Profile Code	Weight
	8241	0,099



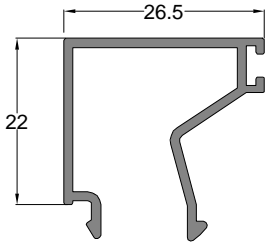
Cam Çıtası	Profil Kodu	(kg/mt)
GLAZING BEAD	Profile Code	Weight
	676	0,331



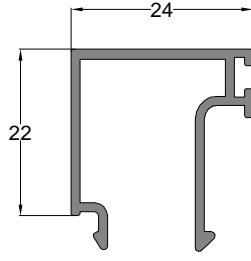
Cam Çıtası	Profil Kodu	(kg/mt)
GLAZING BEAD	Profile Code	Weight
	7036	0,319



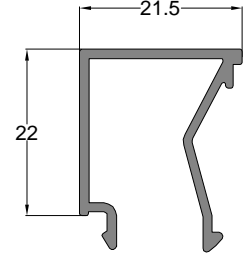
Cam Çıtası	Profil Kodu	(kg/mt)
GLAZING BEAD	Profile Code	Weight
	606	0,299



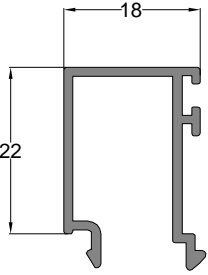
Cam Çıtası	Profil Kodu	(kg/mt)
GLAZING BEAD	Profile Code	Weight
	792	0,301



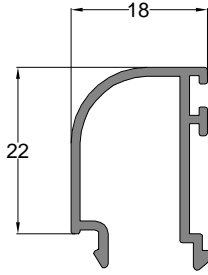
Cam Çıtası	Profil Kodu	(kg/mt)
GLAZING BEAD	Profile Code	Weight
	7023	0,294



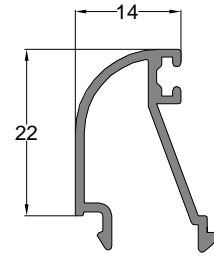
Cam Çıtası	Profil Kodu	(kg/mt)
GLAZING BEAD	Profile Code	Weight
	770	0,270



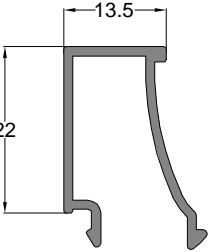
Cam Çıtası	Profil Kodu	(kg/mt)
GLAZING BEAD	Profile Code	Weight
	664	0,266



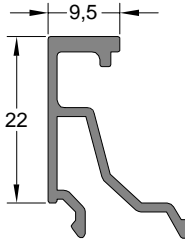
Cam Çıtası	Profil Kodu	(kg/mt)
GLAZING BEAD	Profile Code	Weight
	665	0,253



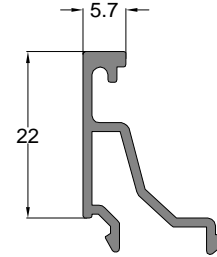
Cam Çıtası	Profil Kodu	(kg/mt)
GLAZING BEAD	Profile Code	Weight
	791	0,246



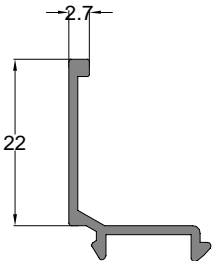
Cam Çıtası	Profil Kodu	(kg/mt)
GLAZING BEAD	Profile Code	Weight
	793	0,235



Cam Çıtası	Profil Kodu	(kg/mt)
GLAZING BEAD	Profile Code	Weight
	12699	0,243

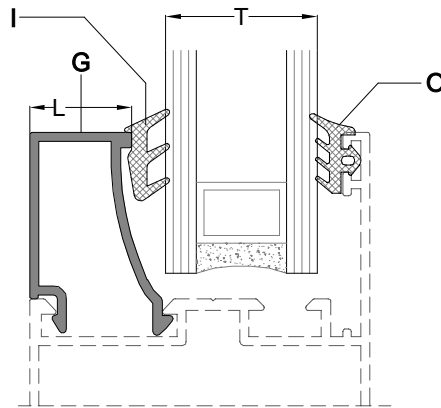


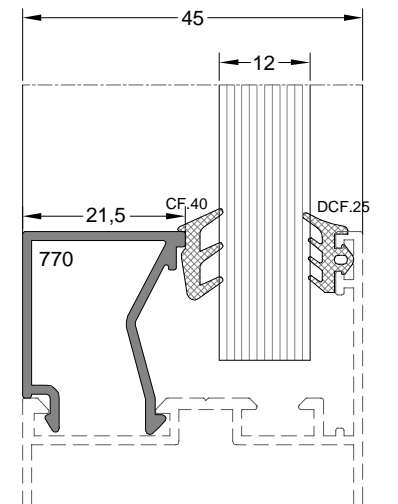
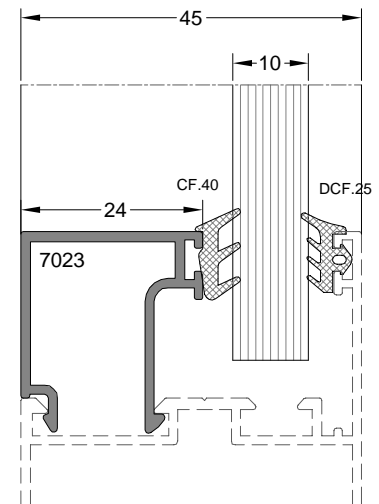
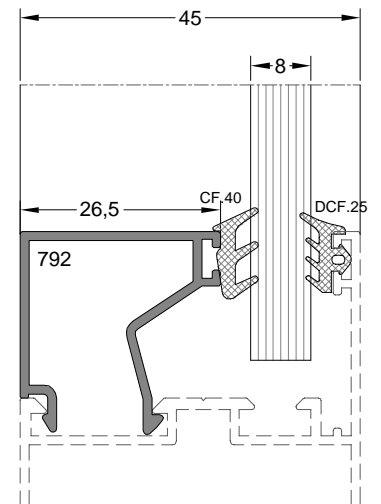
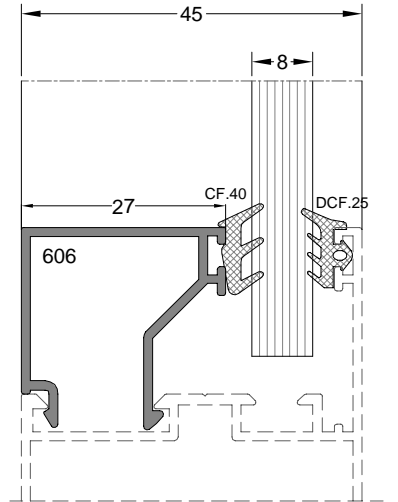
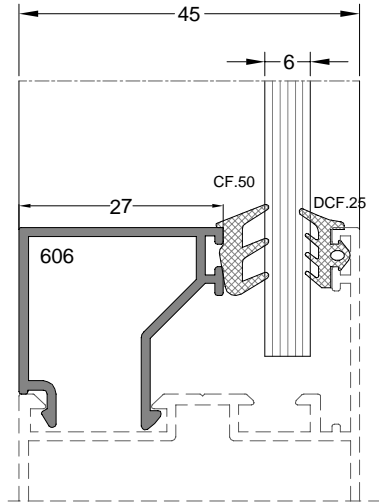
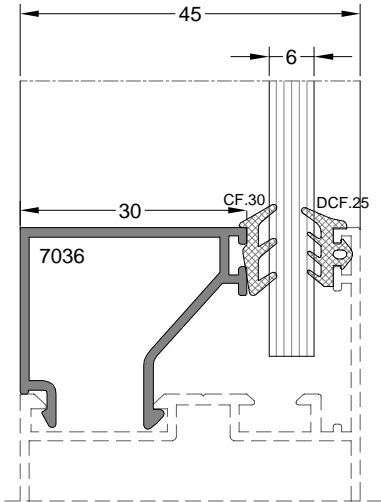
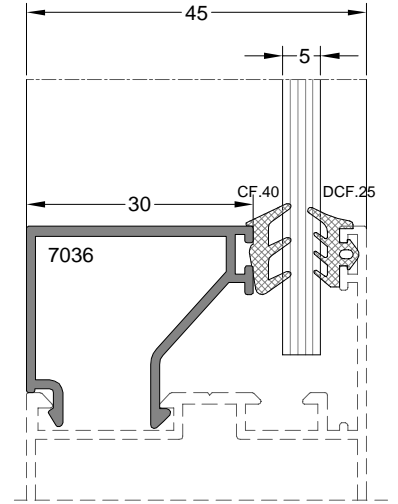
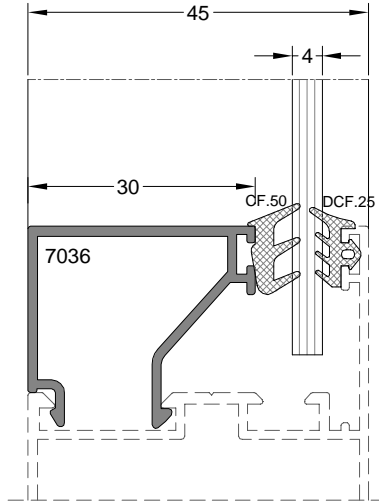
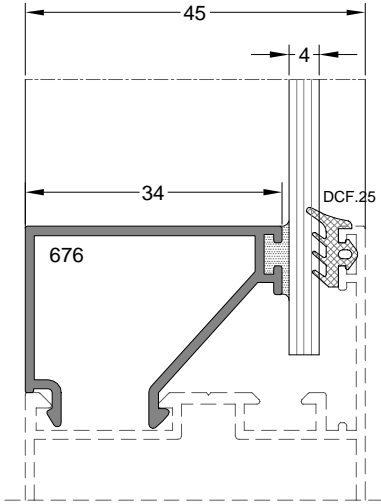
Cam Çıtası	Profil Kodu	(kg/mt)
GLAZING BEAD	Profile Code	Weight
	772	0,225



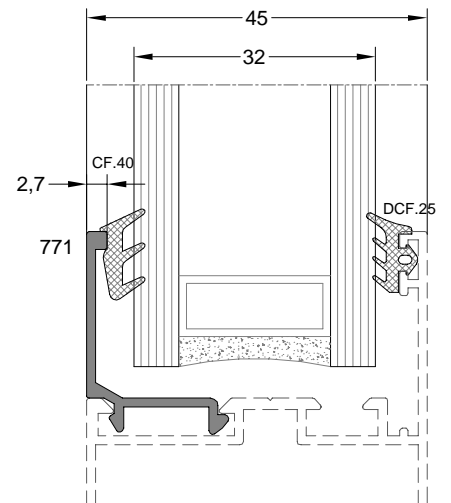
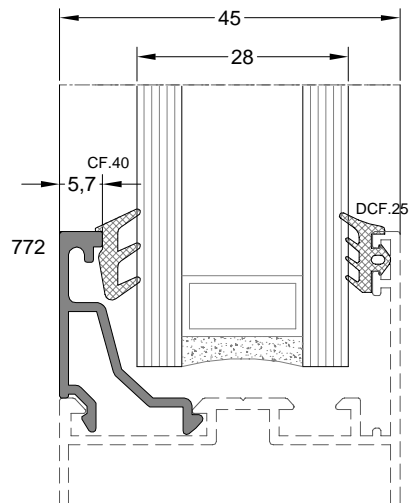
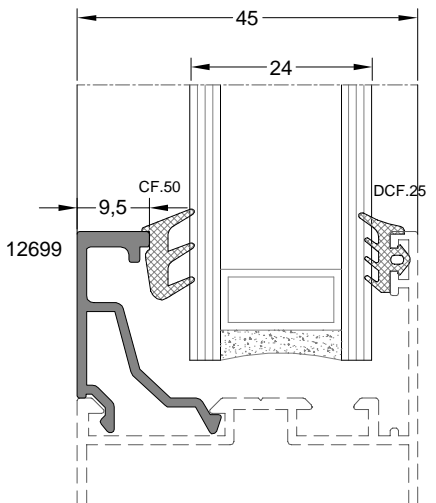
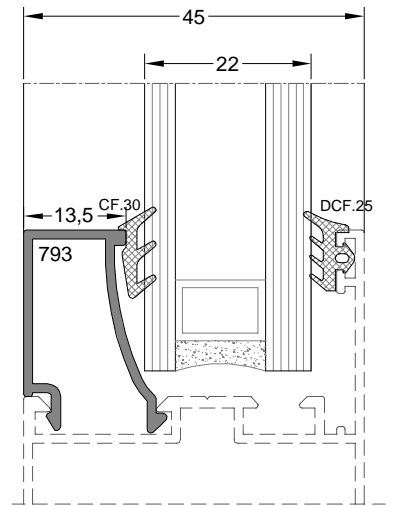
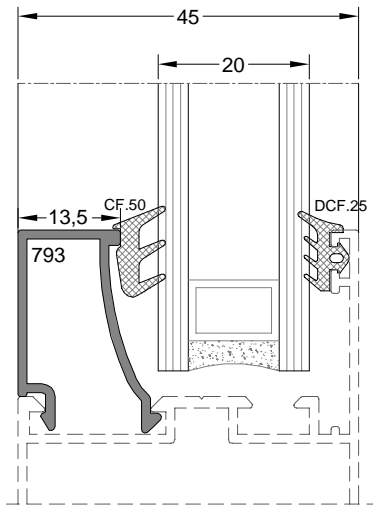
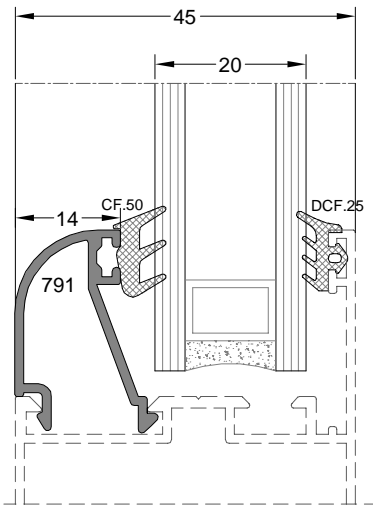
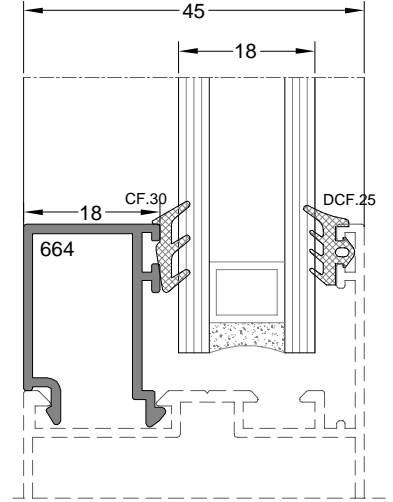
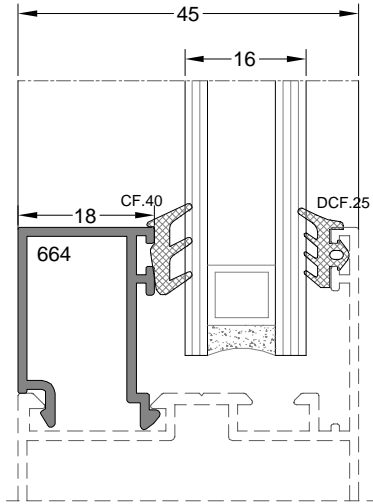
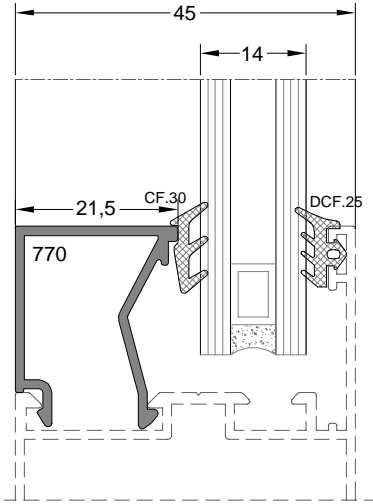
Cam Çıtası	Profil Kodu	(kg/mt)
GLAZING BEAD	Profile Code	Weight
	771	0,165

CAM ÇITASI GLAZING BEAD	CAM ÇITASI UZUNLU ĞU GLAZING BEAD LENGTH	Ç CAM F T L GLAZING GASKET(inside)	CAM KALINLI ĞI GLASS THICKNESS	DI CAM F T L GLAZING GASKET(outside)
(G)	(L)	(I)	(T)	(O)
676	34 mm	S L KON	4 mm	DCF.25
7036	30 mm	CF.50	4 mm	DCF.25
7036	30 mm	CF.40	5 mm	DCF.25
7036	30 mm	CF.30	6 mm	DCF.25
606	27 mm	CF.50	6 mm	DCF.25
606	27 mm	CF.40	8 mm	DCF.25
792	26,5 mm	CF.40	8 mm	DCF.25
7023	24 mm	CF.40	10 mm	DCF.25
770	21,5 mm	CF.40	12 mm	DCF.25
770	21,5 mm	CF.30	14 mm	DCF.25
664	18 mm	CF.40	16 mm	DCF.25
664	18 mm	CF.30	18 mm	DCF.25
791	14 mm	CF.50	20 mm	DCF.25
793	13,5 mm	CF.50	20 mm	DCF.25
793	13,5 mm	CF.30	22 mm	DCF.25
12699	9,5 mm	CF.50	24 mm	DCF.25
772	5,7 mm	CF.50	28 mm	DCF.25
771	2,7 mm	CF.40	32 mm	DCF.25

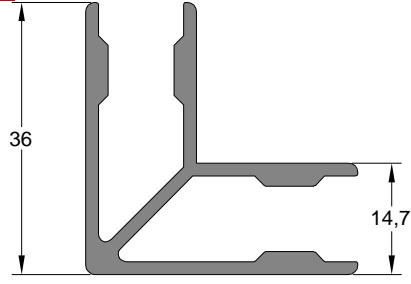




** Her profil için minimum sipari 300 kg'dır.
** Minimum order quantity is 300 kg per profile.

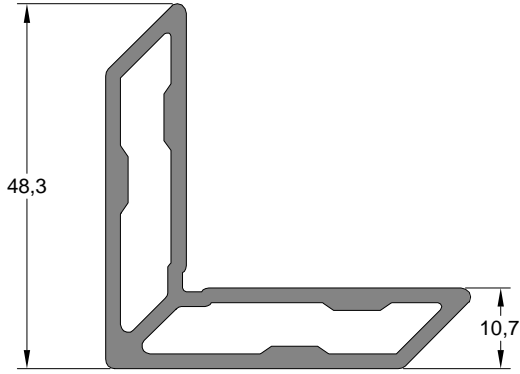


** Her profil için minimum sipari 300 kg'dır.
** Minimum order quantity is 300 kg per profile.



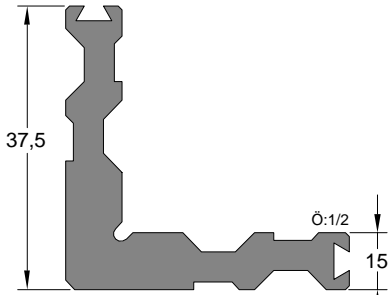
Kö e Çavru Profili CORNER CONNECTION PROFILE	Profil Kodu Profile Code	(kg/mt) weight
	295	0,715

Kö e Çavru Profil Kodu Corner Connection Profile Code	Kullanıldı ı Profil Compatible Profile	Kesim Boyu (mm) Cutting Length (mm)
295	746	42.10 mm
	788	51.40 mm



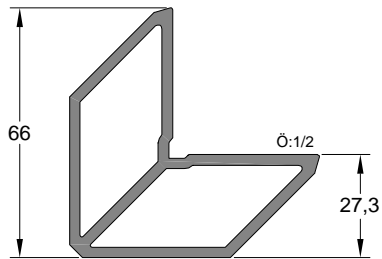
Kö e Çavru Profili CORNER CONNECTION PROFILE	Profil Kodu Profile Code	(kg/mt) weight
	386	1,088

Kö e Çavru Profil Kodu Corner Connection Profile Code	Kullanıldı ı Profil Compatible Profile	Kesim Boyu (mm) Cutting Length (mm)
386	796	26.50 mm
	725	26.50 mm



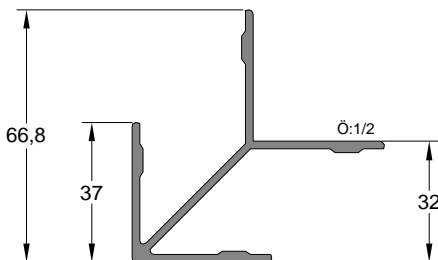
Kö e Takoz Profili CORNER CONNECTION PROFILE	Profil Kodu Profile Code	(kg/mt) weight
	414	4,218

Kö e Takoz Profil Kodu Corner Connection Profile Code	Kullanıldı ı Profil Compatible Profile	Kesim Boyu (mm) Cutting Length (mm)
414	747	38.10 mm
	779	37.90 mm



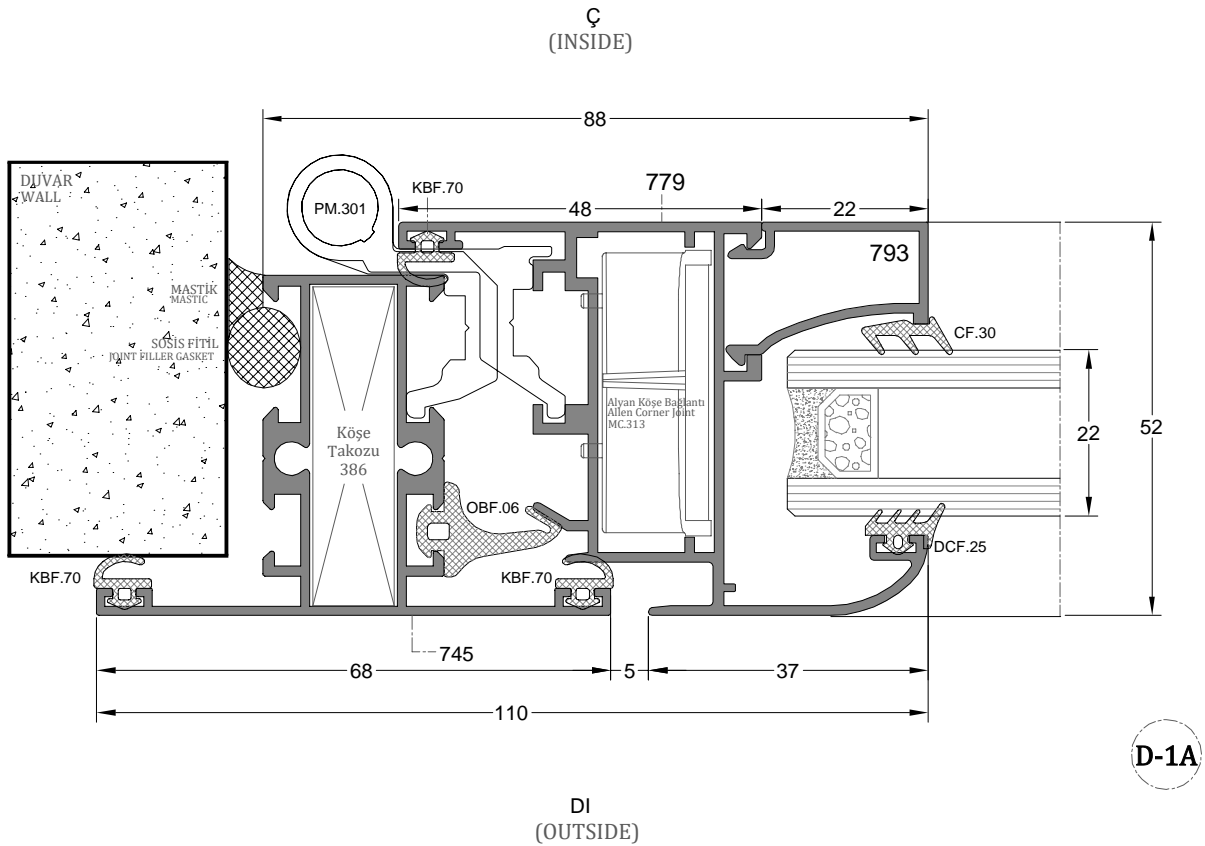
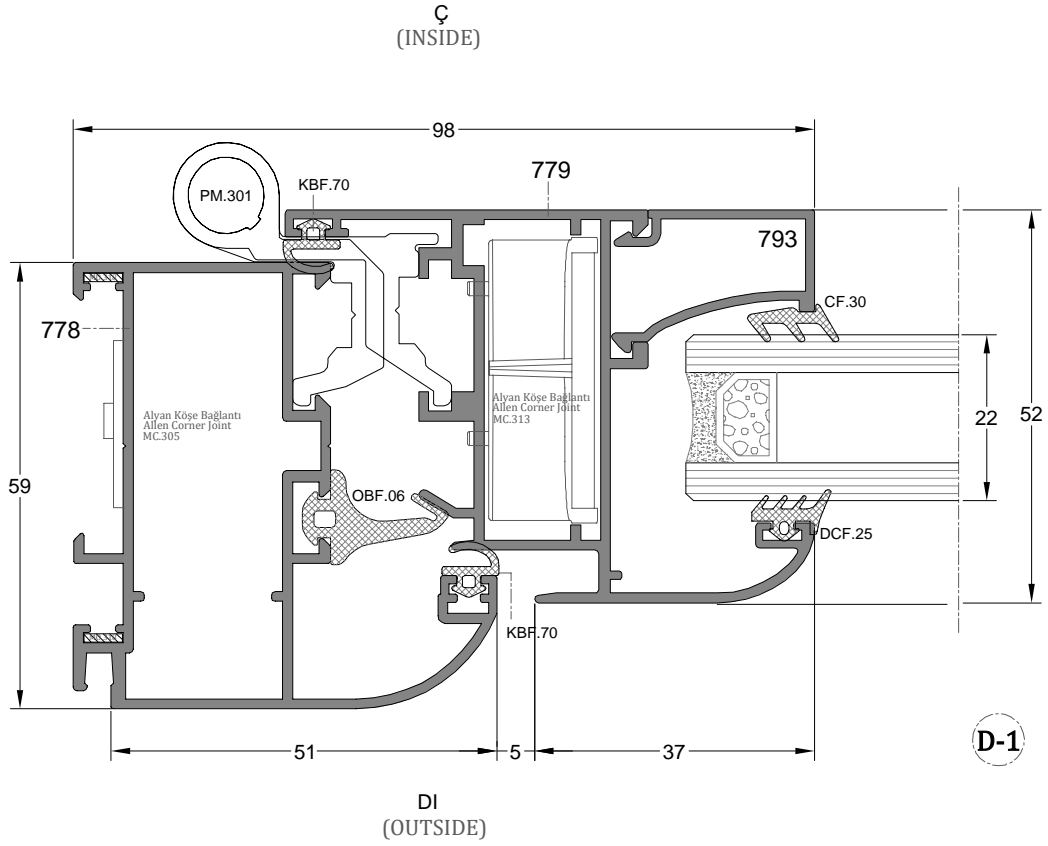
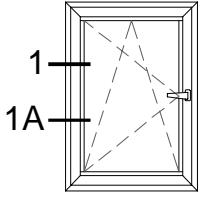
Kö e Takoz Profili CORNER CONNECTION PROFILE	Profil Kodu Profile Code	(kg/mt) weight
	683	1,941

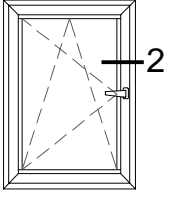
Kö e Takoz Profil Kodu Corner Connection Profile Code	Kullanıldı ı Profil Compatible Profile	Kesim Boyu (mm) Cutting Length (mm)
683	5923	30.40 mm



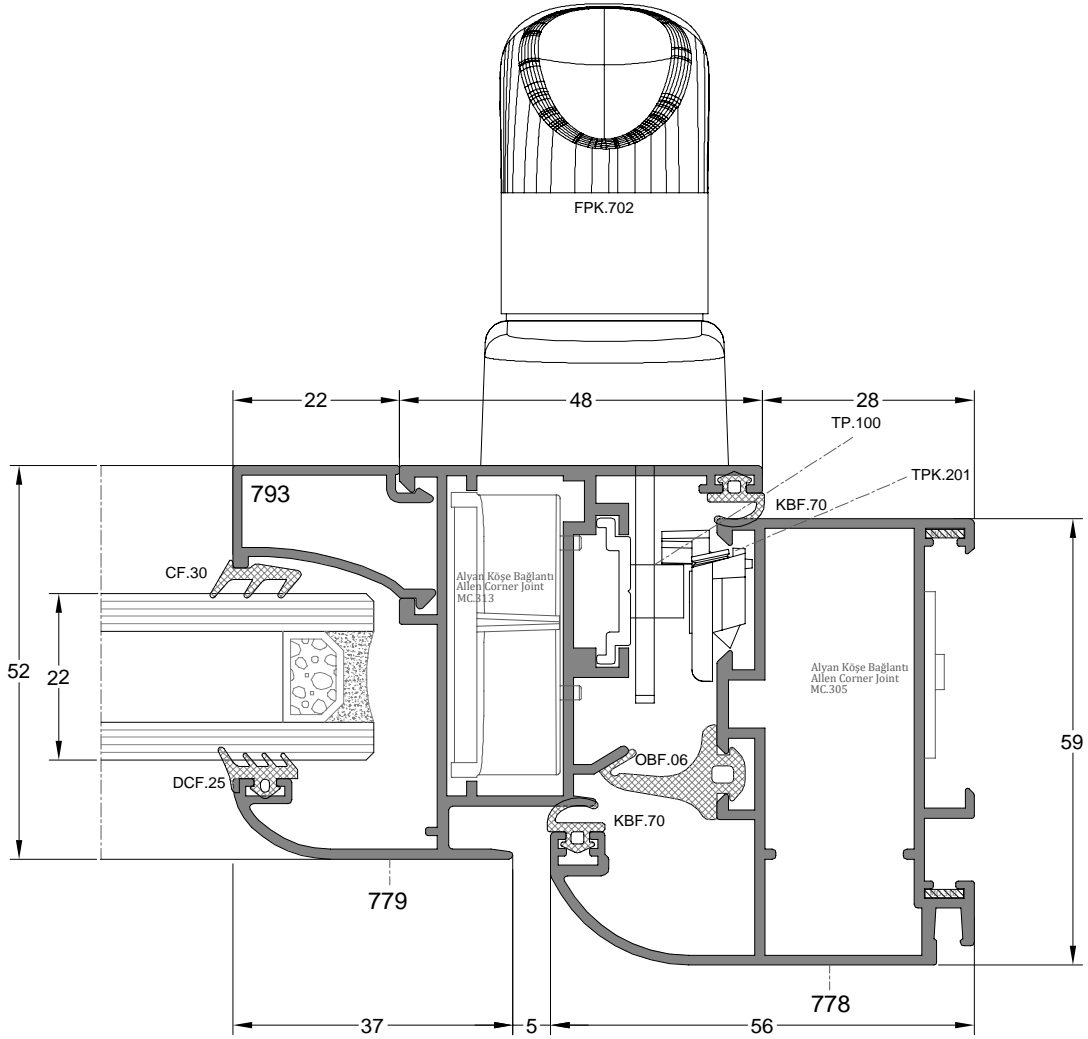
Kö e Çavru Profili CORNER CONNECTION PROFILE	Profil Kodu Profile Code	(kg/mt) weight
	383	1,075

Kö e Çavru Profil Kodu Corner Connection Profile Code	Kullanıldı ı Profil Compatible Profile	Kesim Boyu (mm) Cutting Length (mm)
383	749	42.10 mm



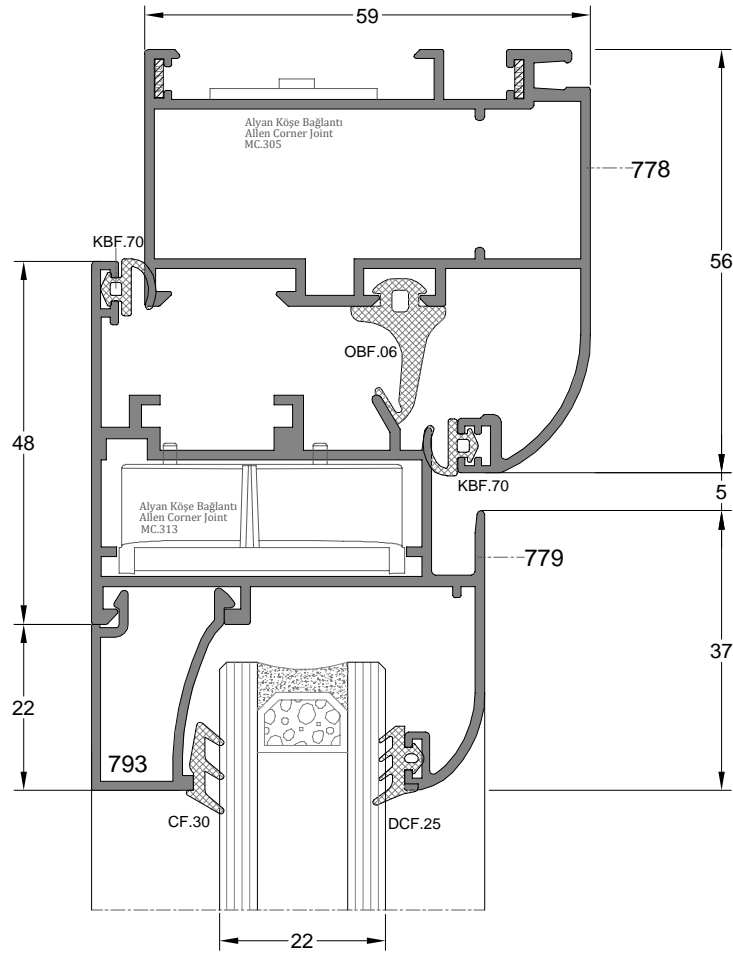
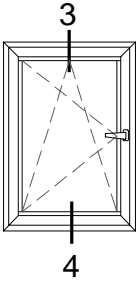


Ç
(INSIDE)



DI
(OUTSIDE)

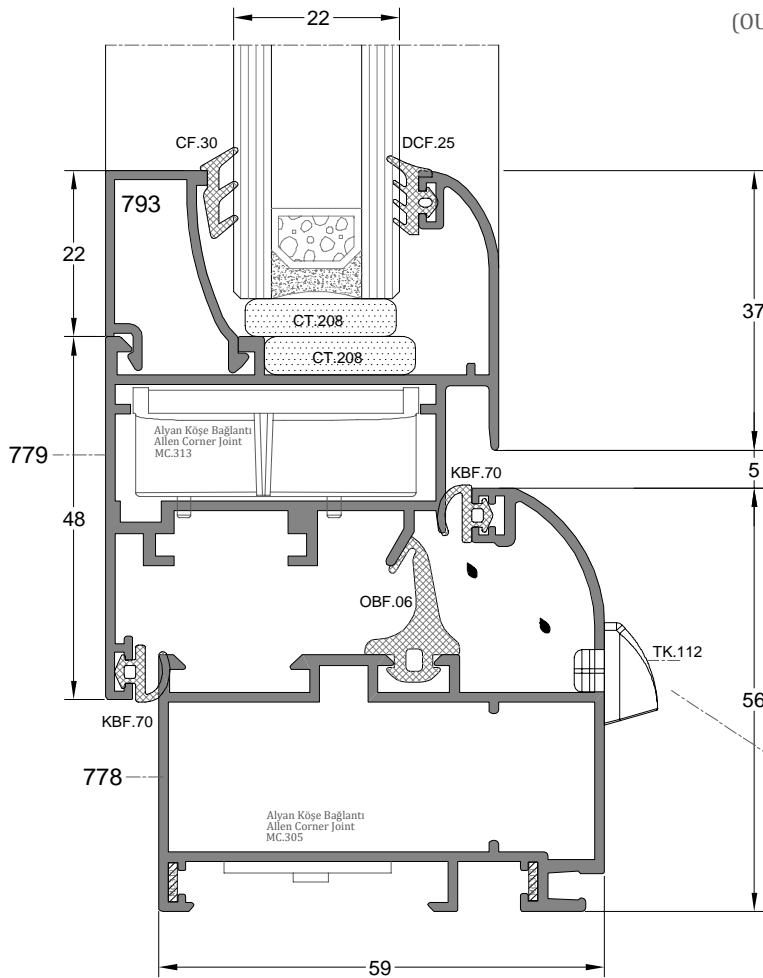
D-2



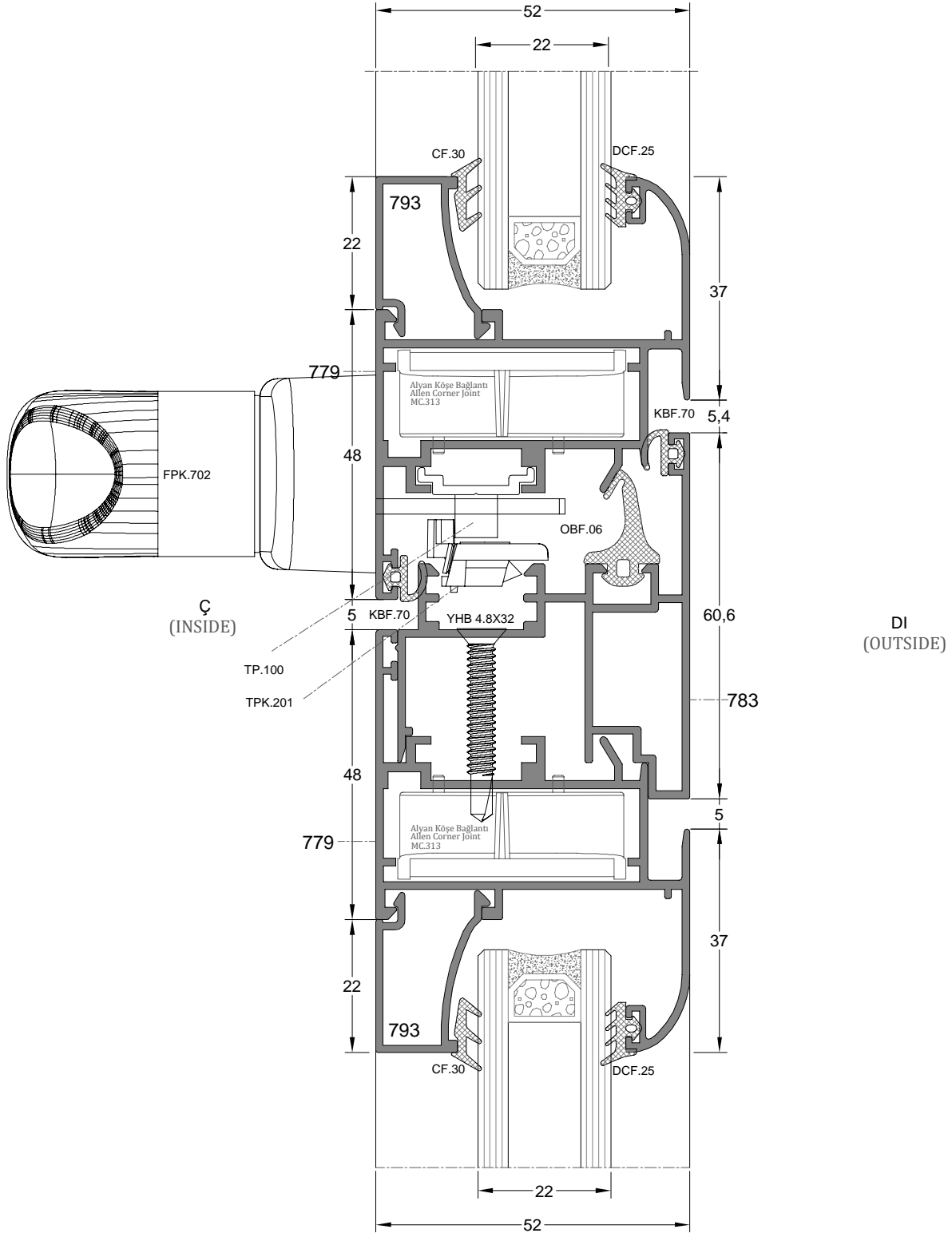
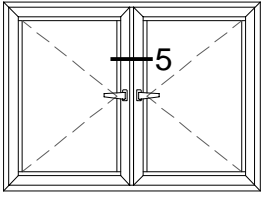
D-3

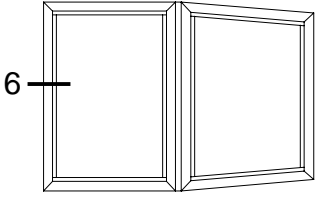
Ç
(INSIDE)

DI
(OUTSIDE)

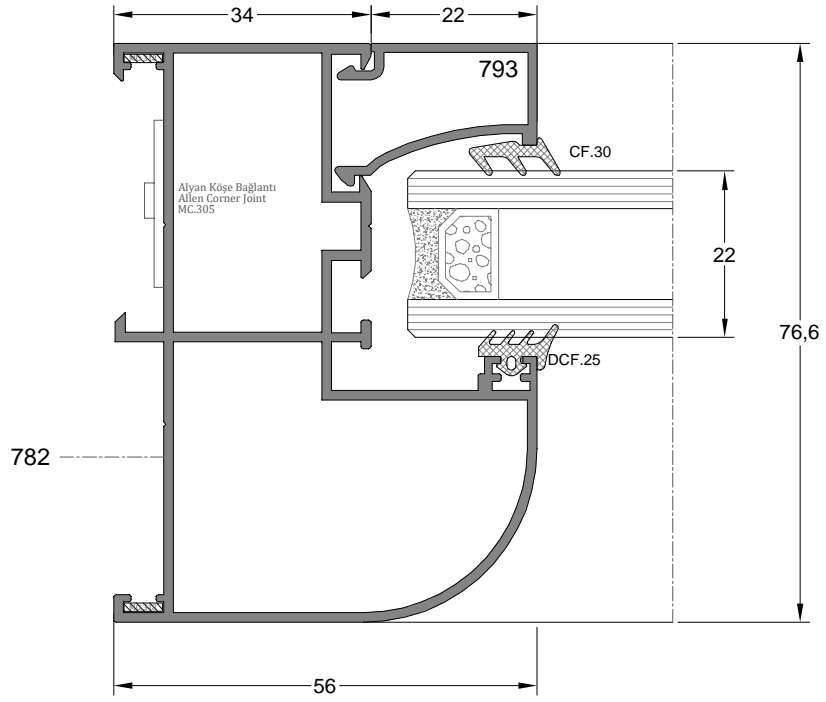


D-4



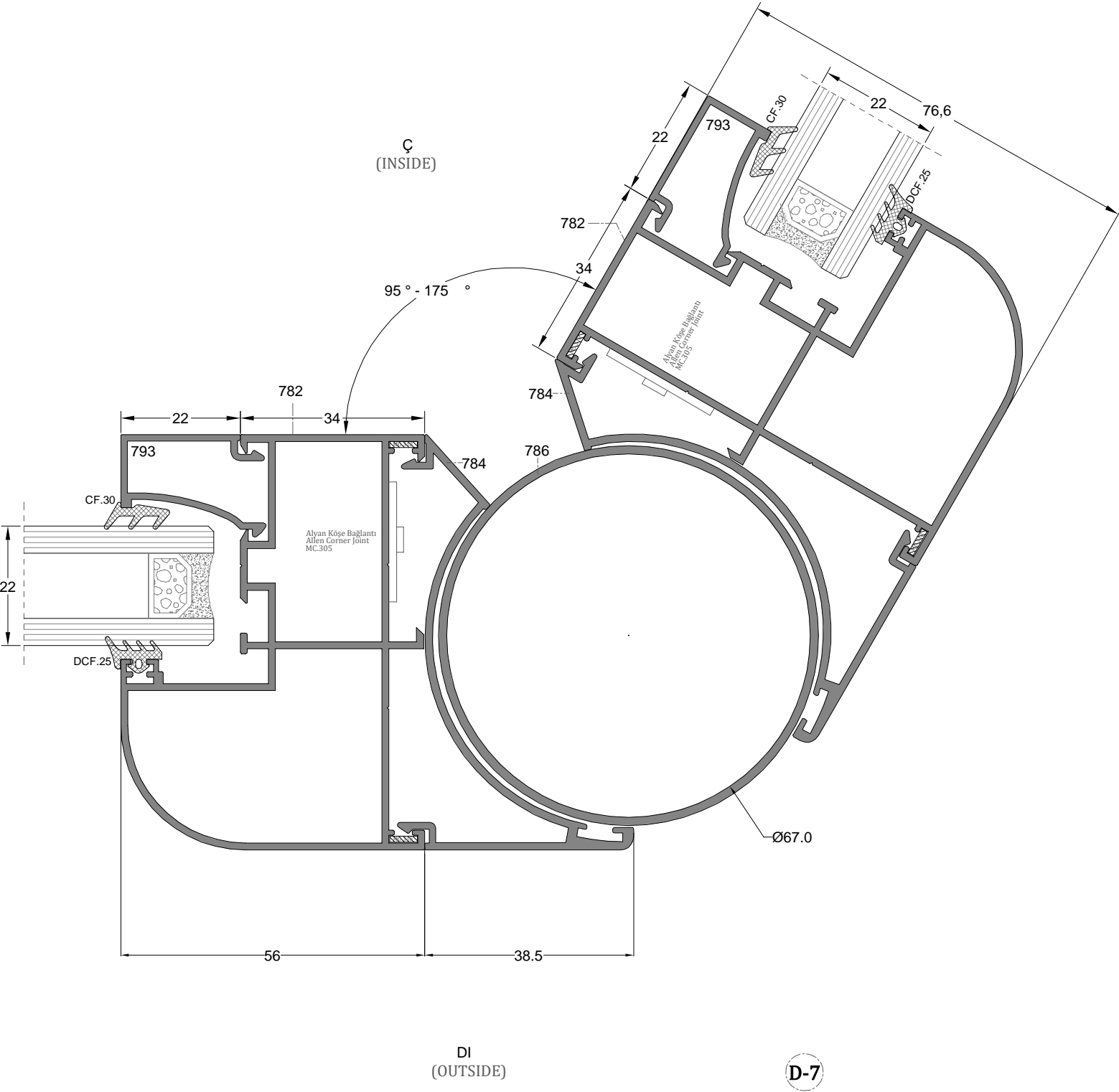
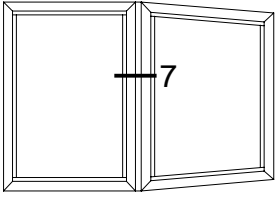


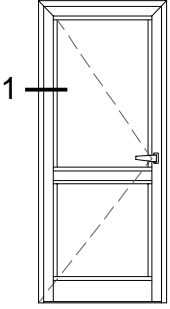
Ç
(INSIDE)



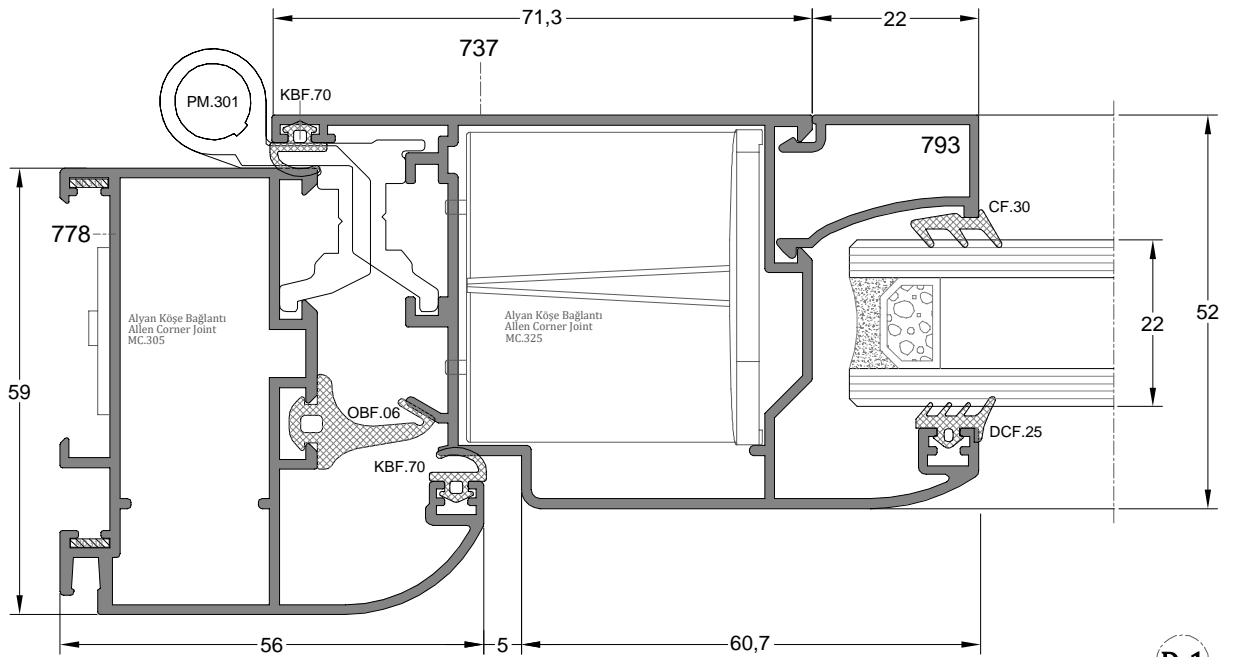
DI
(OUTSIDE)

D-6

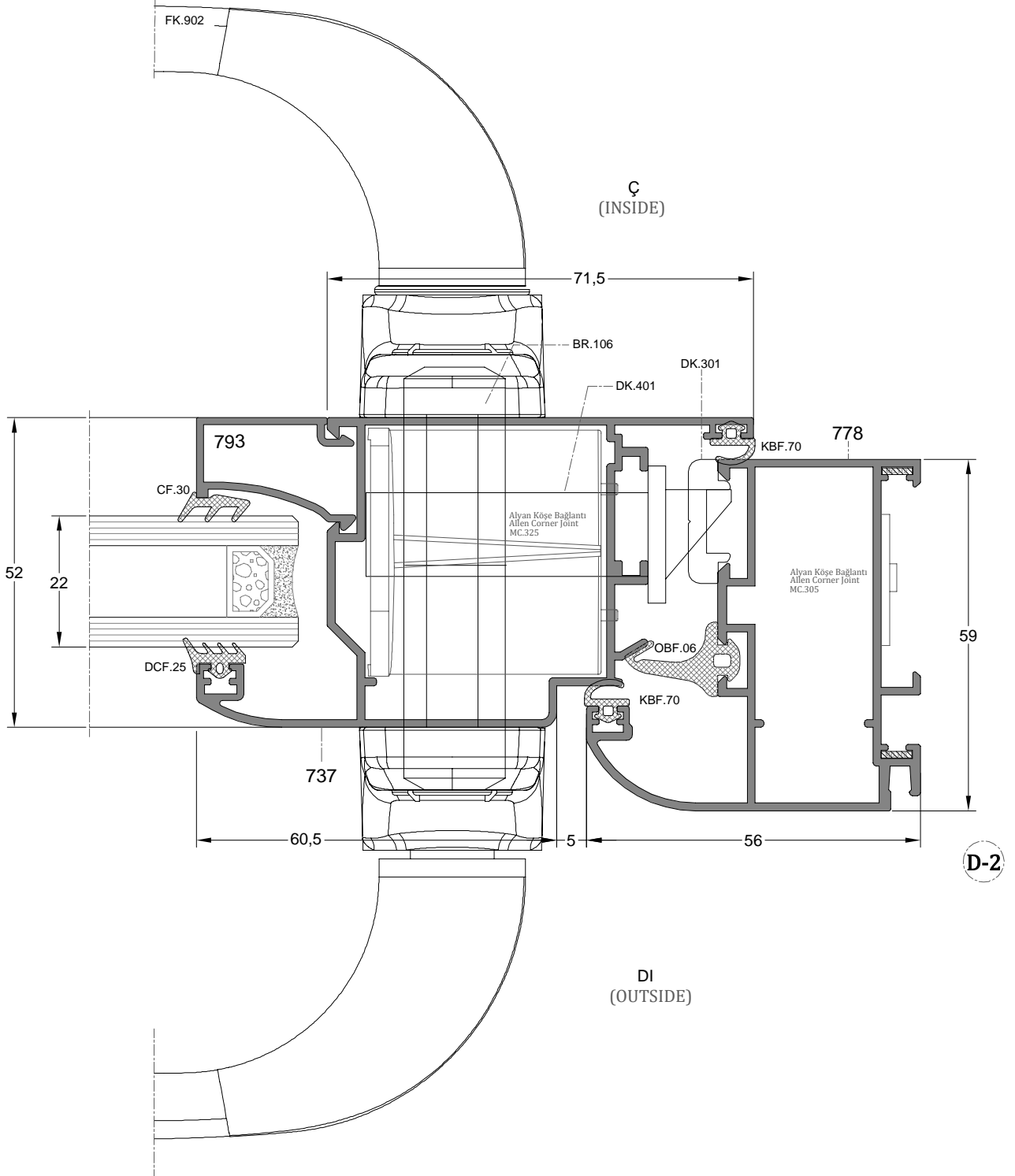
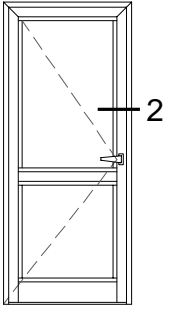


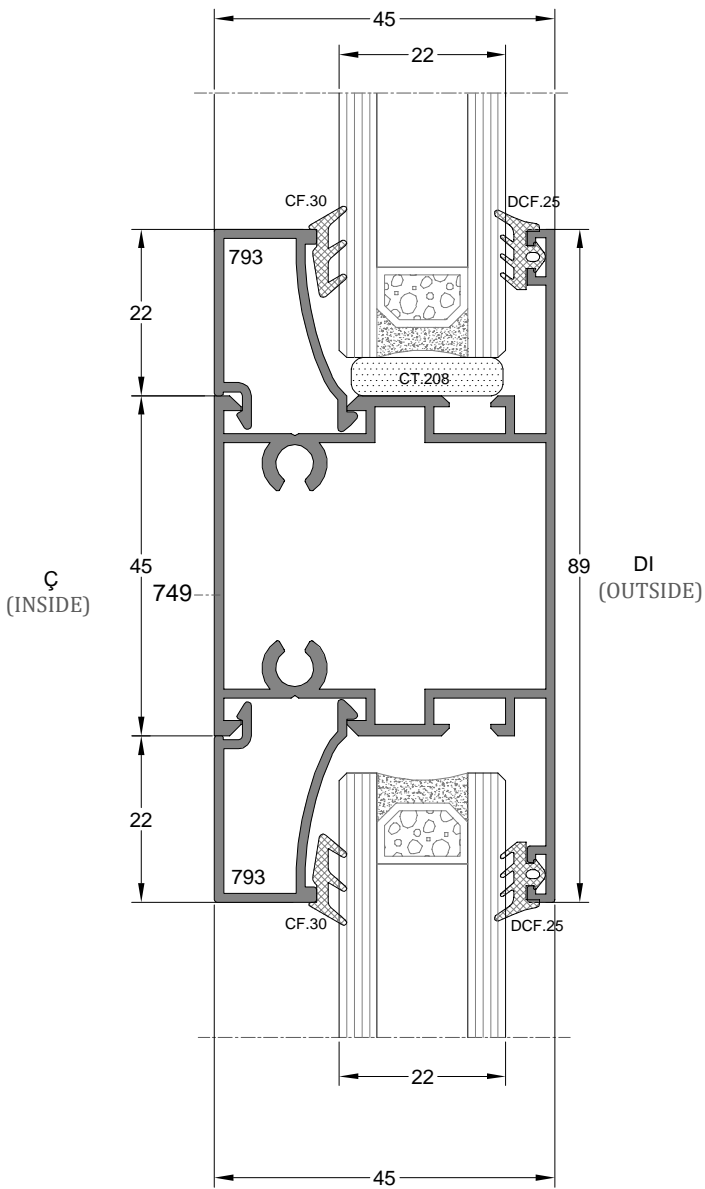
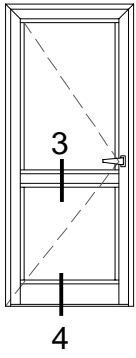


Ç
(INSIDE)

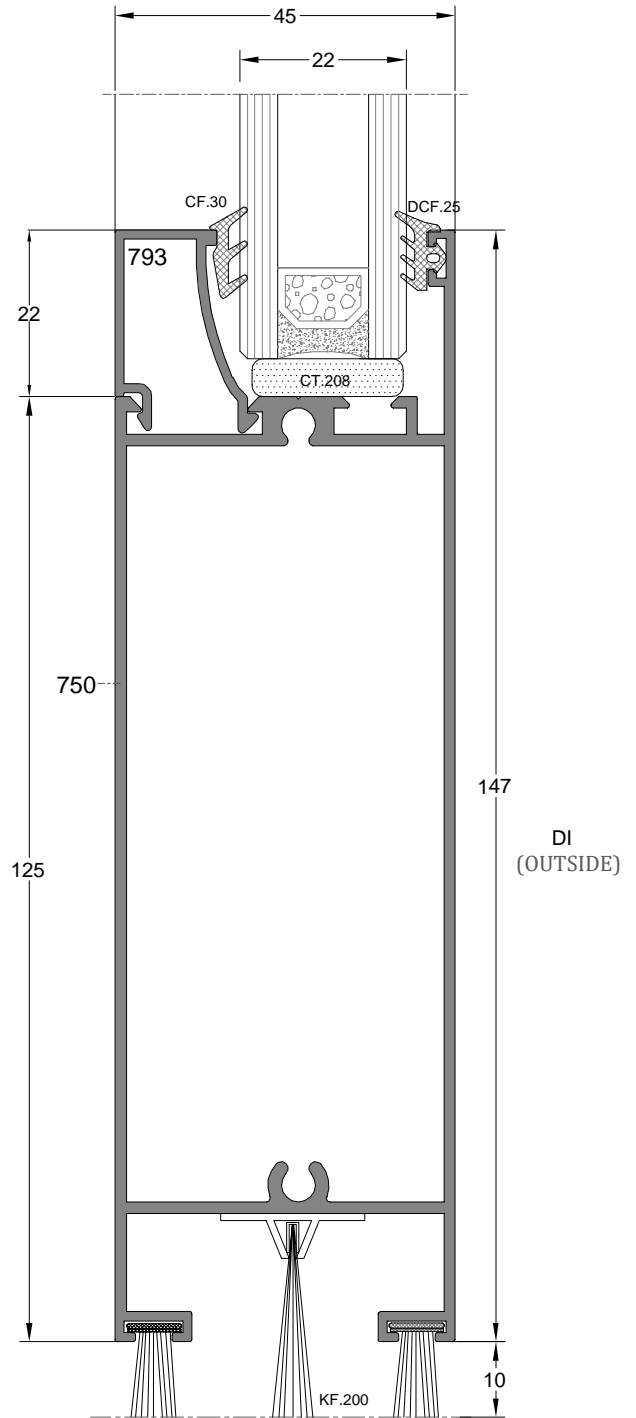


DI
(OUTSIDE)





D-3



D-4

